

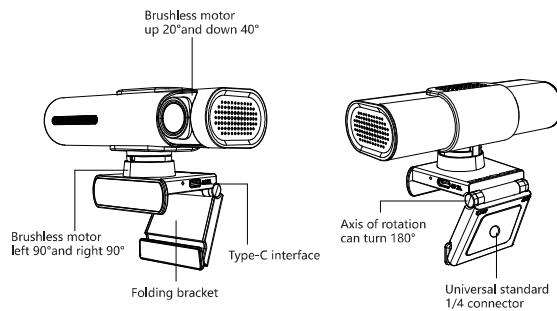
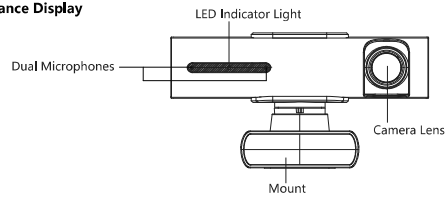


**Hawk 4K Webcam
with AI Auto Tracking**

1. Product Features

- Ultra HD 4K image quality output up to 3840*2160@30fps, HD video
- AI interaction, multi-gesture control, fast facial recognition & locking tracking
- Double brushless motor two-axis drive, image stabilization Six-axis gyroscope, and maximum 120°/S control speed
- 2x auto zoom can be achieved through gestures
- Dual Microphones with noise reduction algorithm
- Type-c universal interface for wide compatibility
- Standard USB drive free protocol, supports mainstream operating system, plug and play

2. Appearance Display

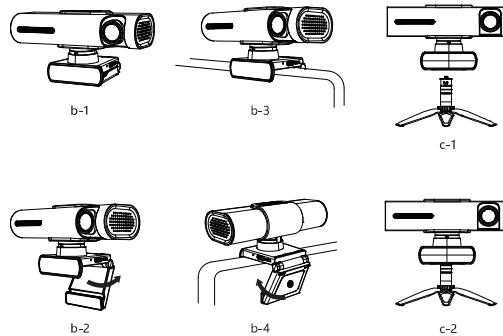
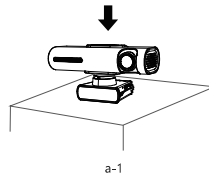


3. Package Contents



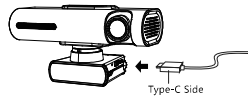
4. Assembly Method

- Place on the desktop
- Clip on the top of the monitor or laptop screen
- Place on the tripod (Tripod Not Included)



5. Connect webcam

To connect your webcam, simply plug it into a USB port on your computer.



6. How to check webcam is connected

If you change the connector or settings while the application is running, the device may not be recognized. To fix this, close the application and then reopen it.

■ For Windows 11

1. From Windows start select all apps

2. Click Camera



Camera icon

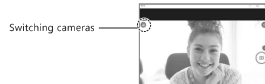
■ For Windows 10

1. Click windows start and click "Camera"



Camera icon

2. If you have multiple webcams connected and the Webcam is not displayed, click 'Switch Camera' to select the desired webcam.

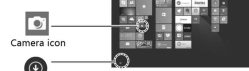


Switching cameras

■ Switching Webcam for Windows 8.1-8

1. Click Windows Start to display the Start screen.

2-1. The screen on the right is displayed. Click the camera icon. If the icon is not displayed, click the arrow icon to display the list of apps.



Camera icon

Arrow icon

2-2. Click the camera icon from the app list



Camera icon

3. If you're not seeing the image of the desired camera on your screen, try right-clicking the screen and clicking 'Switch Camera' to select a different camera.

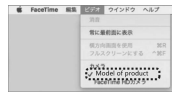


Camera switching

■ For Mac

1. Start 1.0S and in the application folder Launch Face Time!

2. From "Video", choose the webcam model of this product



3. The image taken with this product is displayed on the preview screen.



6. Gesture Control Guide

Gesture 1: Begin Tracking
To start tracking, power on the camera and make the Gesture 1. The camera will do the rest.

Gesture 2: Zoom in & Zoom out
To zoom in while filming, make Gesture 2. To zoom out, make Gesture 2 again.

Gesture 3: Stop Tracking
To stop the camera from tracking while shooting, make Gesture 3



Gesture 1



Gesture 2



Gesture 3

● Attention please!

The camera is locked for Transit

● Before use

Loosen the clips following the directions
Connect the data cable and then you are ready to use



7. Product Specification

Accessory	Smart Live Stream Cam (4k version), USB Cable
Imaging Sensor	4K 1/2.8 inch SONY Sensor

Image Stabilization	6 axis gyroscope
Field of View (Diagonal)	88°
Brushless motor	Pan: Left 90° right 90°, Tilt: Up 20° down 40°, Maximum control speed 120°/s
Microphone	2 microphones, -38dB
Indicator light	Status indicator, Blue (standby no follow mode), green (follow mode), brightness: 10lux
USB	Type-C interface, USB 2.0, supports C to A and C to C cable
Extension	General standard 1/4 nut, can match standard bracket, tripod, fixed platform, etc.
Video format	Support MJPEG /YUV video compression
Support resolution	Support 3840x2160, 1920x1080, 1280x720, 640x480, 640x360
Support frame rate	MJPG:30fps, YUY2: [5 10 30]fps
Support system	Windows 7, Windows 8, Windows 10, Ubuntu, macOS, Android9.0
Drive	Support UVC and UAC
Voltage	5V/1000mA
Size	122x60x64mm
Weight	160g

8. FAQ

● No is image displayed

- 1) Make sure that the USB port and USB cable are connected securely.
- 2) Try using a different USB port.
- 3) Try restarting the device.

● The image breaks frequently

- 1) Make sure that the USB port and USB cable are connected securely.
- 2) Try using a different USB port
- 3) Try restarting the device.

● The image quality is not good.

- 1) Please make sure that the camera video input is set correctly in the software video input settings.

9. Warranty and Service Information

This product is guaranteed for one year from the date of purchase. Only product defects caused by its quality can be returned for repair or replacement. The returned product must be in its original packaging or packaging with an equal degree of protection. The following information must be presented to obtain warranty service:-

1. Proof of purchase (e.g., receipt)
2. Name and contact information
3. Description of the defect
4. Photos or videos of the defect (if possible)

Please note that the warranty does not cover damage caused by:

- (a) Accidental or intentional damage
- (b) Improper use or installation
- (c) Normal wear and tear
- (d) Improper storage, misuse or abuse, accident or neglect, such as physical damage (cracks, scratches, etc.) to the surface of the product resulting from misuse;
- (e) contact with liquid, water, rain, extreme humidity or heavy perspiration, sand, dirt or the like, extreme heat, or food;
- (f) use of the product or accessories for commercial purposes or subjecting the product or accessories to abnormal usage or conditions;
- (g) other acts which are not the fault of seller;
- (h) damage due to improper operation;
- (i) product's battery which have not been charged over six months.