



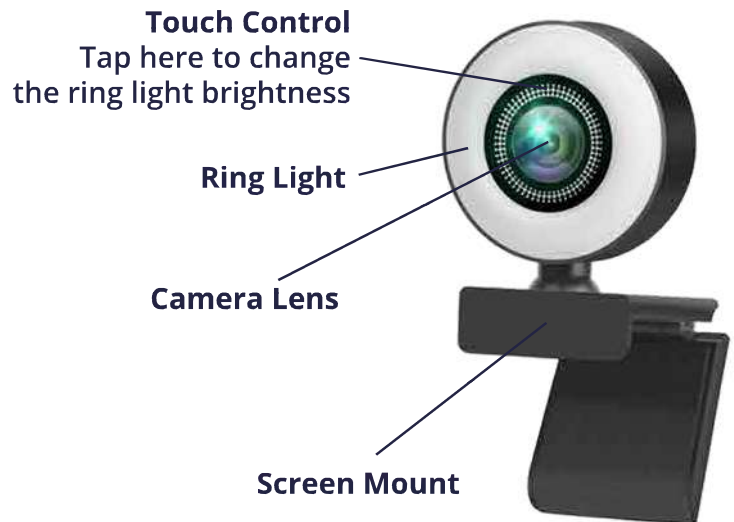
**PROJECT
TELECOM**
UNIFYING COMMUNICATIONS



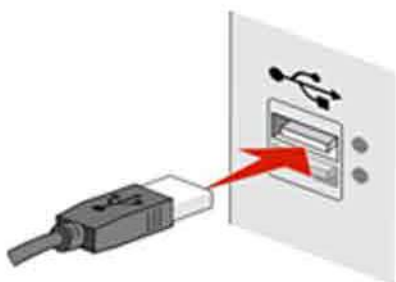
Halo E | 4K UHD | Ring Light Webcam

In the Box

- 1 x Halo E | 4K UHD | Ring Light Webcam
- 1 x Webcam Tripod
- 1 x USB-A to USB-C Adapter

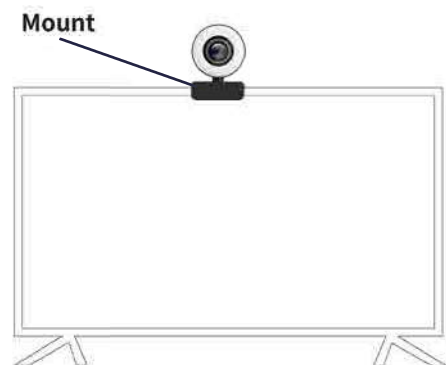


QUICK START GUIDE



1. Plug the USB connection into your PC, Mac or device.

The Webcam is powered via USB Port



2. Position the webcam using the screen mount to secure the camera to your screen.

3. In the settings or configuration menu of the Software you are using, select the Webcam as your Camera and Audio device.

E.G. Twitch, Mixer, YouTube, Skype for Business, Microsoft Teams, Zoom and many other Softphones, streaming or conferencing applications.