

CCAHT v3

Lithium-Ion Battery Charger

V1.1

Quick Start User Guide



Contact

For more information about our products please contact us:

+44 (0)20 8236 0032 info@entel.co.uk entel.co.uk

All Rights Reserved. Copyright Entel UK Ltd.



Designed in the United Kingdom

Entel

CCAHT v3

Thank you for purchasing the CCAHT charger. This product should reach you in perfect condition. Should you notice any defects or experience any problems with this product, please contact the dealer you purchased it from immediately.

FEATURES

- The CCAHT charger can be used to recharge Entel's lithium-ion battery packs.
- Free range power supply facilitates AC voltages in the range 100V to 240V.
- The time required to recharge a fully discharged CNB Series battery pack is approximately 6 hours.
- This charger has been designed to sit on a flat surface or be wall/ bulkhead mounted for your convenience.

OPERATING INSTRUCTIONS

1. Connect the Entel adapter (CWC series) to the CCAHT charger pod.
2. Plug the AC power main plug of the adapter into the wall outlet.
3. If attached to the battery, ensure the radio is switched off.
4. Insert the battery pack into the charging pod, either with or without the radio attached. The charger pod's LED illuminates red to indicate that the battery is charging.
5. When charging is complete the LED will illuminate green.

MAINS ADAPTER (CWC SERIES)

Input Voltage	100-240VAC 50Hz/60Hz
Output Voltage	12VDC 500mA
Weight	80g
Adapter Type	CWCEA – 2 Pin (Australia) CWCED – 2 Pin (Europe) CWCEE – 3 Pin (UK) CWCES – 2 Pin (US)

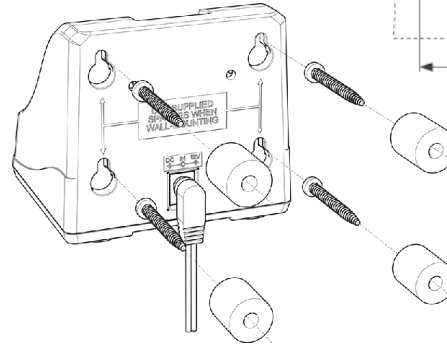
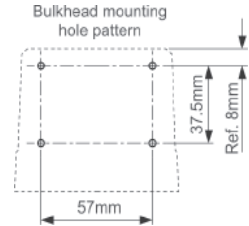
CCAHT CHARGING POD

Input Voltage	11.5~14.4VDC 500mA
Output Voltage	8.7VDC 400mA
Dimensions	(H)75mm x (W)84mm x (D)80mm
Weight	120g
Battery Compatibility	CNB750E, CNB751E, CNB550E, CNB950E, CNB550EV2, CNB950EV2
RangeOperational Temperature Range	- 20°C to +55°C

BULKHEAD MOUNTING

For your convenience the CCAHT charger can be seated on its base, or bulkhead mounted.

A bulkhead screw and spacer kit is available separately (Part Number ASPACKCAHV3).



PRECAUTIONS

- The CCAHT charger is designed exclusively for use with Entel lithium-ion battery packs. Do not use it to charge any other type of battery pack.
- Do not use CCAHT with any other adapter other than CWC series.
- The Entel adapter is designed for use with an AC power supply voltage between 100V and 240V. Do not connect it to a power source outside this range.
- Never charge the transceiver whilst it is switched on.
- Unplug the adapter from the mains when it is not in use.
- Do not dismantle the CCAHT or the CWC adapter.
- Never insert any metal or other conductive objects into the charger.
- Do not touch the charger terminals.
- Never short the charge contacts with metal or any other conductive object.
- The CCAHT must only be stored /used in a well ventilated, dry area.

NOTE

In the event that your CCAHT or CWC adapter gets wet, do not connect to the mains or switch on. Consult your dealer immediately.