



V3235

Yealink Network Technology CO., LTD

# Yealink MVC800&MVC500 for Microsoft Teams Rooms Deployment Guide(V1.0)

# Contents

<b>Introduction.....</b>	<b>4</b>
Hardware Overview.....	4
Mini-PC.....	4
UVC80.....	5
UVC50.....	6
MTouch.....	7
MShare.....	7
MSpeaker.....	8
Related Documentations.....	9
Technical Specifications.....	9
Microsoft Teams Rooms.....	10
License Requirements for Microsoft Account.....	10
License Requirements for Using Microsoft Teams Rooms Features.....	11
<b>Deployment and Connection.....</b>	<b>11</b>
MVC800.....	12
MVC500.....	12
Recommended Deployment Solution.....	13
Deployment Solutions of Different Meeting Rooms.....	14
Recommendations of Camera Installation.....	16
Recommendations of MSpeaker Installation.....	17
Recommendations of Mini-PC Installation.....	18
Conference Room Wiring.....	18
<b>Initial Setup.....</b>	<b>18</b>
Skype User Account.....	19
Administrator User Account.....	19
<b>Setting up Yealink MVC800/MVC500.....</b>	<b>19</b>
<b>Basic Settings of Teams Room Systems.....</b>	<b>21</b>
Changing Sign-In Account.....	21
Administrator Sign-in.....	22
Restarting the Device.....	23
Single and Dual External Display.....	23
Single Screen Layouts.....	23
Dual Screen Layouts.....	24
Enabling Dual Monitor Mode.....	24
Content Sharing.....	25
Wired Content Sharing.....	25
Wireless Content Sharing.....	25
Controlling UVC80/UVC50 Camera Position.....	26
Resetting UVC80/UVC50 Camera to Home Position.....	26

<b>Basic Features for Microsoft Teams Rooms App.....</b>	<b>27</b>
<b>Troubleshooting.....</b>	<b>27</b>
Upgrading System Software.....	27
Enabling Automatically Windows Update.....	28
Manually Windows Update.....	28
General Issues.....	28
Does the MVC500/MVC800 Come with All the Necessary Software Pre-installed?.....	28
The Room Is Not Enabled for Teams Meetings.....	28
There Is No Content Displayed on the Second Display.....	29
Why Can not Click Finish After Completing the Setup Wizard?.....	29
Any Anti-virus Software Needed to Be Installed on the Mini-PC?.....	29
<b>Appendix.....</b>	<b>29</b>

# Introduction

---

Yealink MVC Series is the brand-new video conferencing system released by Yealink that revolutionizes the Microsoft Teams Rooms collaboration experience. Perfectly integrated with Microsoft Teams Rooms and Yealink cutting-edge audio & video solutions, the Yealink MVC Series is deemed to cover all the usage scenarios and provide you with the excellent collaboration experience in the conference room. Consisting of the touch console, content sharing unit, audio and video peripherals, and mini-PC, the Yealink MVC Series enhances the whole meeting experience with the familiar Microsoft Teams Rooms interface and a close-to-zero learning curve, allowing you just to simply walk into the conference room and start your meeting with one-touch join, or type a few names and launch an ad hoc call.

The Yealink MVC800 includes two 360 ° pick-up-range microphones and each MVC800 can connect up to four units and a powerful pan-tilt-zoom camera with 12x optical zoom, to cover up a large conference room.

The Yealink MVC500 includes two wireless microphones and each MVC500 can connect up to four units and a powerful pantilt-zoom camera with 5x optical zoom, to cover up a small-to-medium conference room. As a substitute for the wireless microphone, the VCM34 wired microphones are available as well.

- [Hardware Overview](#)
- [Related Documentations](#)
- [Technical Specifications](#)
- [Microsoft Teams Rooms](#)

## Hardware Overview

---

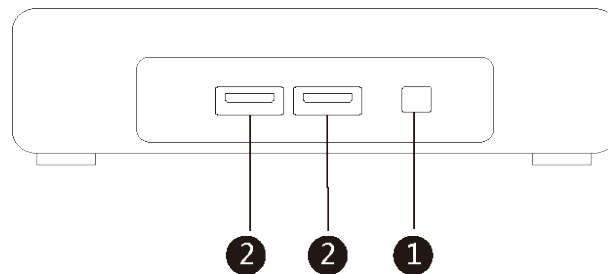
This chapter provides hardware overview.

- [Mini-PC](#)
- [UVC80](#)
- [UVC50](#)
- [MTouch](#)
- [MShare](#)
- [MSpeaker](#)

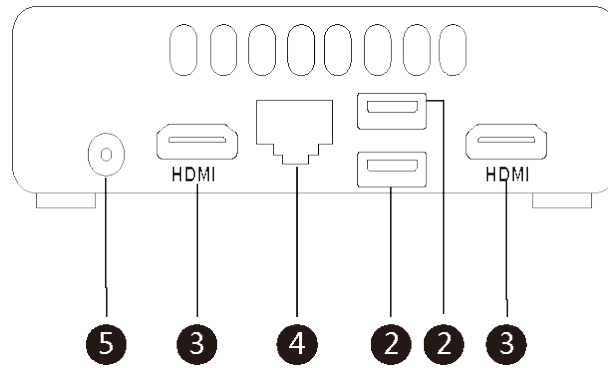
### Mini-PC

The following describes the corresponding ports of mini-PC:

#### Front Panel of the Mini-PC



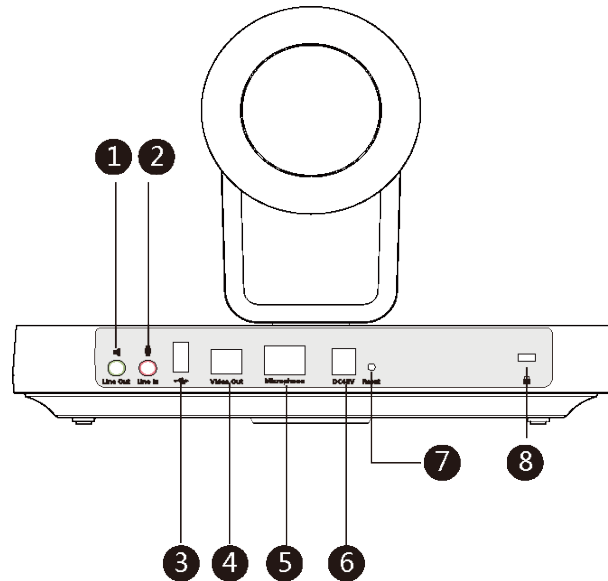
#### Back Panel of the Mini-PC



	Port Name	Description
①	Power	Powers on or powers off .
②	USB 3.0 Port	<ul style="list-style-type: none"> <li>• Connects to the MTouch.</li> <li>• Connects to the MShare to share contents.</li> <li>• Connects to the UVC80/UVC50.</li> <li>• Connects to a wireless USB dongle to use wireless keyboard or mouse.</li> </ul>
③	HDMI	Connects to a display.
④	Internet	Connects to the network device .
⑤	DC19V	Connects to the power adapter.

## UVC80

The following describes the corresponding ports of UVC80:

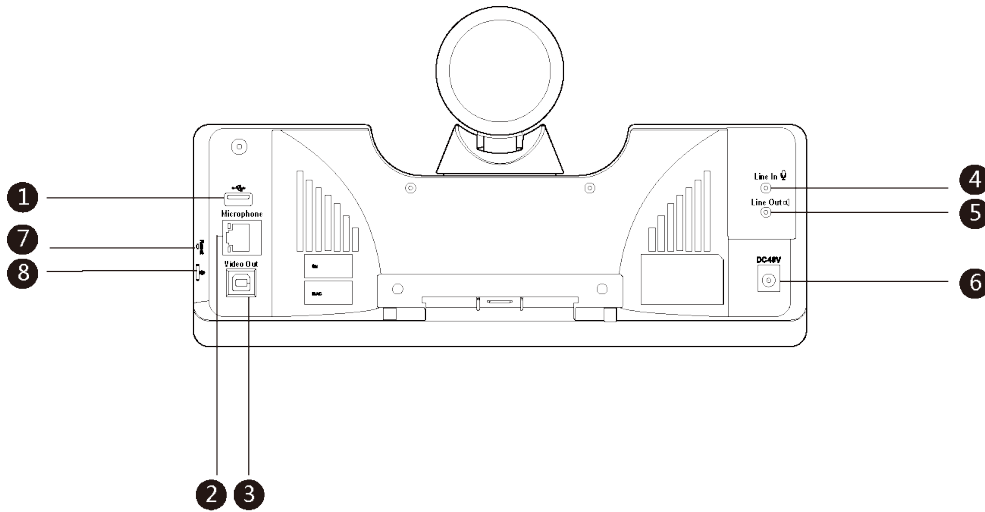


	Port Name	Description
①	Line Out	Connects to an audio output device using an audio cable (3.5mm).

	Port Name	Description
②	Line In	Connects to an audio input device using an audio cable (3.5mm).
③	USB	Inserts DD10 to connect to CPW90.
④	Video Out	Connects to a PC as video output.
⑤	Microphone	Connects to VCM34.
⑥	DC48V	Connects to the power adapter.
⑦	Reset	Resets the UVC80 to factory defaults.
⑧	Security Slot	Creates a security connection to the UVC80 with a universal security cable to lock UVC80 down.

## UVC50

The following describes the corresponding ports of UVC50:

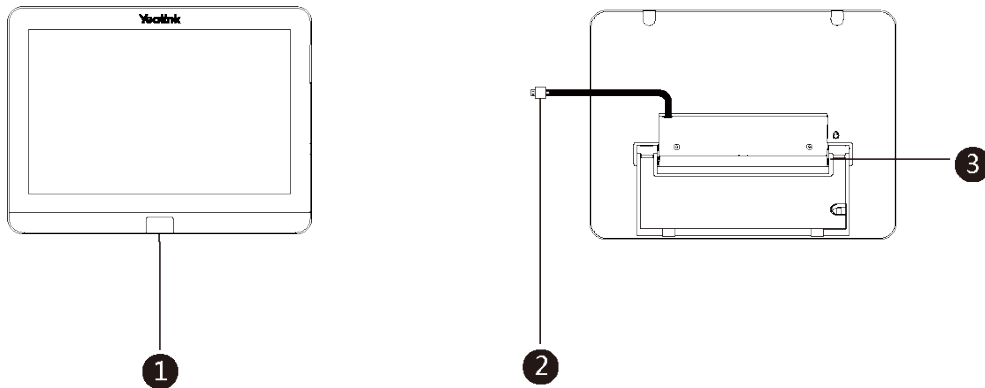


	Port Name	Description
①	USB	Inserts DD10 to connect to CPW90.
②	Microphone	Connects to VCM34.
③	Video Out	Connects to a PC as video output.
④	Line In	Connects to an audio input device using an audio cable (3.5mm).
⑤	Line Out	Connects to an audio output device using an audio cable (3.5mm).
⑥	DC48V	Connects to the power adapter.
⑦	Reset	Resets the UVC50 to factory defaults.

	Port Name	Description
③	Security slot	Creates a security connection to the UVC50 with a universal security cable to lock UVC50 down.

## MTouch

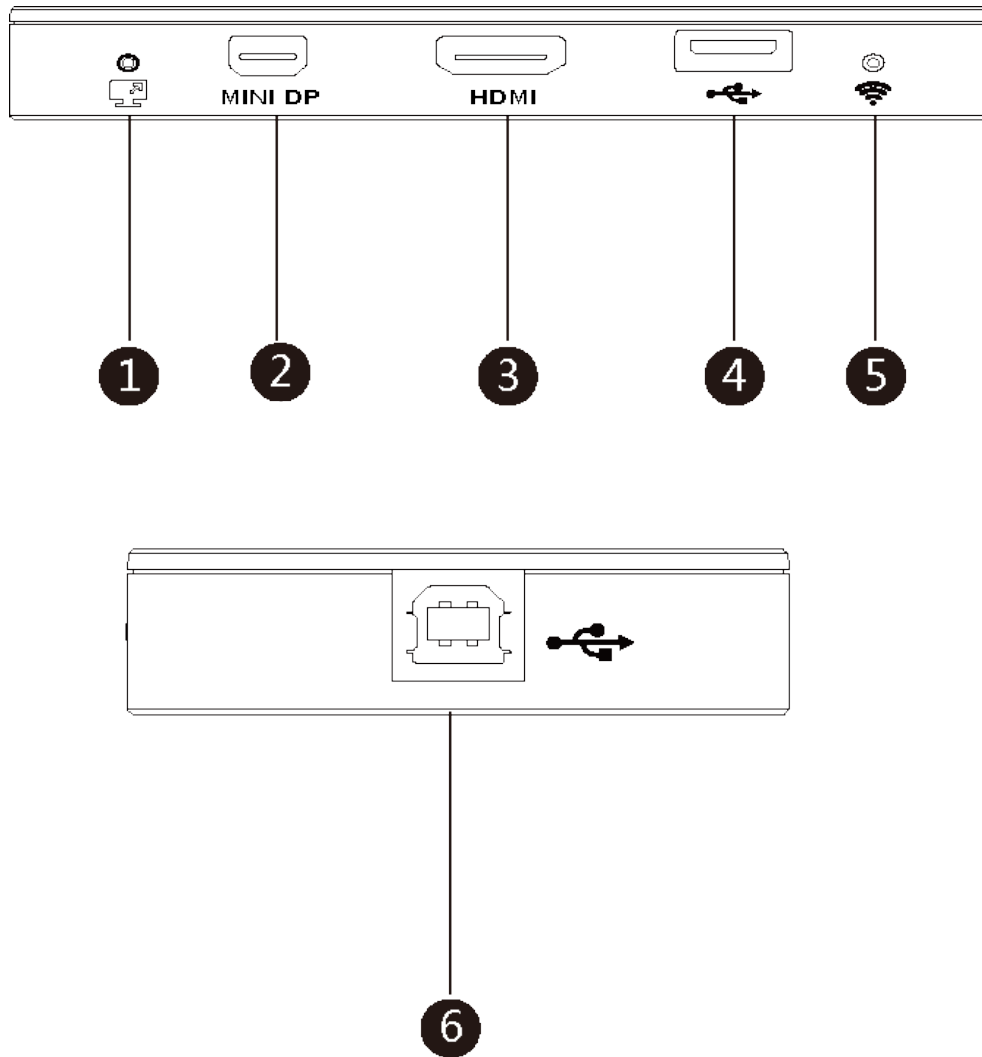
The following describes the corresponding ports of MTouch:



	Port Name	Description
①	Human Motion Sensor	Integrated in the front of the device, the motion detection sensor is to automatically wake up the Yealink MVC system and light up the touch screen when the person approaches the touch screen.
②	USB	Connects to the mini-PC. And the MTouch is powered by mini-PC.
③	3.5mm Headset	Connects to a headset.

## MShare

The following describes the corresponding ports of MShare:

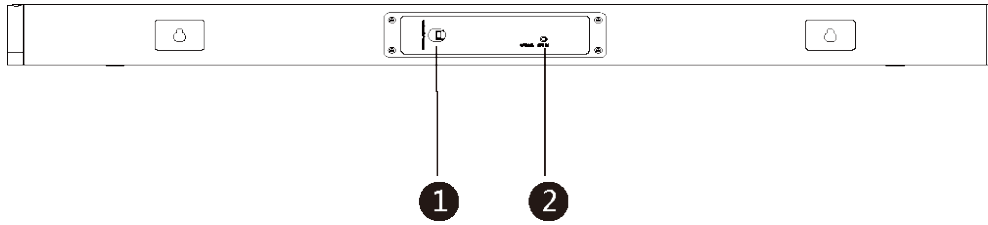


	Port Name/Indicator Name	Description
①	LED Indicator	Indicates the working status of MShare.
②	Mini DP	Connects to PC to share contents.
③	HDMI	Connects to PC to share contents.
④	USB	Connects to WPP20 to pair the WPP20 with the MShare.
⑤	Wi-Fi AP LED Indicator	Indicates the status of MShare connected to the WPP20.
⑥	USB	Connects to mini-PC.

## MSpeaker

The following describes the corresponding ports of MSpeaker:





	Port Name	Description
①	DC100V	Connects to the power adapter.
②	AUX IN	Connects to UVC50/UVC80.

## Related Documentations

---

The following related documents are available:

- [Yealink MVC800&500 Quick Start Guide](#)
- [Yealink UVC80 Quick Start Guide](#)
- [Yealink UVC50 Quick Start Guide](#)
- [Yealink MTouch Quick Start Guide](#)
- [Yealink MSpeaker Quick Start Guide](#)
- [Yealink MShare Quick Start Guide](#)
- [Yealink Mini-PC Box Quick Start Guide](#)
- [Yealink VCM34 Quick Start Guide](#)
- [Yealink CPW90 Wireless Microphones Quick Start Guide](#)
- [Yealink WPP20 Wireless Presentation Pod Quick Start Guide](#)

## Technical Specifications

---

<b>Operating System</b>	Windows 10 IoT Enterprise
<b>Software</b>	Microsoft Teams Rooms
<b>Processor / SSD / RAM</b>	7th Gen Intel® Core™ i5/128GB/8GB (2 x 4GB)
<b>Ports</b>	<ul style="list-style-type: none"> <li>• 2 x HDMI video output</li> <li>• Bluetooth and Wi-Fi</li> <li>• 4 x USB3.0 Type-A</li> <li>• 1 x 10/100/1000M Ethernet port</li> <li>• 1 x Power port</li> </ul>
<b>Buttons</b>	Power On button on the front

<b>MTouch</b>	<ul style="list-style-type: none"> <li>• 8-inch IPS screen</li> <li>• 1280 x 800 resolution</li> <li>• 10-point capacitive touch screen</li> <li>• 3.5mm headset jack</li> <li>• Human Motion Sensor</li> <li>• Angle adjustable bracket (23° ~ 50°)</li> </ul>
<b>UVC50</b>	<ul style="list-style-type: none"> <li>• 1920 x 1080 video resolution</li> <li>• 60 frame rate</li> <li>• 5x optical zoom</li> <li>• Field of view (diagonal): 91°</li> <li>• Pan range: 60°</li> <li>• Tilt range: 40°</li> </ul>
<b>UVC80</b>	<ul style="list-style-type: none"> <li>• 1920 x 1080 video resolution</li> <li>• 60 frame rate</li> <li>• 12x optical zoom</li> <li>• Field of view (diagonal): 78.5°</li> <li>• Pan angle range: 200°</li> <li>• Tilt angle range: 60°</li> </ul>
<b>MShare</b>	<ul style="list-style-type: none"> <li>• 1080P/30FPS FHD</li> <li>• Support wired and wireless content sharing</li> <li>• Built-in Wi-Fi AP for Yealink wireless presentation device</li> </ul>
<b>MSpeaker</b>	<ul style="list-style-type: none"> <li>• Output ((THD=1.0%)) RMS: 10W*4</li> <li>• Frequent response: 60 Hz - 20K Hz</li> <li>• S/N : ≥70dB</li> </ul>

## Microsoft Teams Rooms

Microsoft Teams Rooms is Microsoft's latest conferencing solution designed to bring a rich, collaborative experience into your meeting room. You will enjoy its familiar Skype for Business and Teams interface and IT administrators will appreciate an easily deployed and managed Windows 10 Skype Meeting app. Microsoft Teams Rooms is designed to leverage existing equipment like LCD panels for ease of installation to bring Skype for Business and Teams into your meeting room. And the system provides a complete meeting experience that brings HD video, audio, and content sharing to meetings of all sizes, from small huddle areas to large conference rooms.

More information available, please visit the [Microsoft Teams Rooms](#).

- [License Requirements for Microsoft Account](#)
- [License Requirements for Using Microsoft Teams Rooms Features](#)

### License Requirements for Microsoft Account

	Type	Requirements
①	On-Premise	Microsoft Exchange 2013+
		Microsoft Skype for Business Server 2015+
		Built-in PSTN capability in Lync infrastructure for PSTN dialing

	Type	Requirements
②	Cloud (with PSTN dialing)	Office 365 Enterprise E5 (Skype and PSTN)
③	Cloud	<ul style="list-style-type: none"> <li>Office 365 Enterprise E1/E3 or Office 365 Skype Premium license</li> <li>Teams Meeting Room License (Microsoft Teams for meeting rooms)</li> </ul>

## License Requirements for Using Microsoft Teams Rooms Features

The following table lists the licensing-dependant features that are available in Microsoft Teams Rooms and what licenses you need to buy to get them.

Microsoft Teams Rooms scenario	You currently have Office 365 Premium, Office 365 ProPlus0, or Skype for Business Standalone Plan 2.	You currently have an Enterprise-based plan.	You have Skype for Business Server 2015 (on-premises or hybrid).
Join a scheduled meeting	Skype for Business Standalone Plan 1	E1, 3, 4, or 5	Skype for Business Server Standard CAL
Initiate an ad-hoc meeting	Skype for Business Standalone Plan 2	E1, 3, 4, or 5	Skype for Business Server Standard CAL Skype for Business Server Enterprise CAL
Initiate an ad-hoc meeting and dial out from a meeting to phone numbers	Skype for Business Standalone Plan 2 with Audio Conferencing <b>Note:</b> Communications Credits are optional.	E1 or E3 with Audio Conferencing OR E5	Skype for Business Standard CAL Skype for Business Server Enterprise CAL
Give the room a phone number and make or receive a calls from the room or join an audio conference using a phone number	Skype for Business Standalone Plan 2 with Office 365 Phone System and a Calling Plan <b>Note:</b> Communications Credits are optional.	E1 or E3 with Office 365 Phone System and a Office 365 Calling Plan OR E5	Skype for Business Server Standard CAL Skype for Business Server Plus CAL

## Deployment and Connection

The following contents describe the deployment and connection of MVC800 and MVC500.

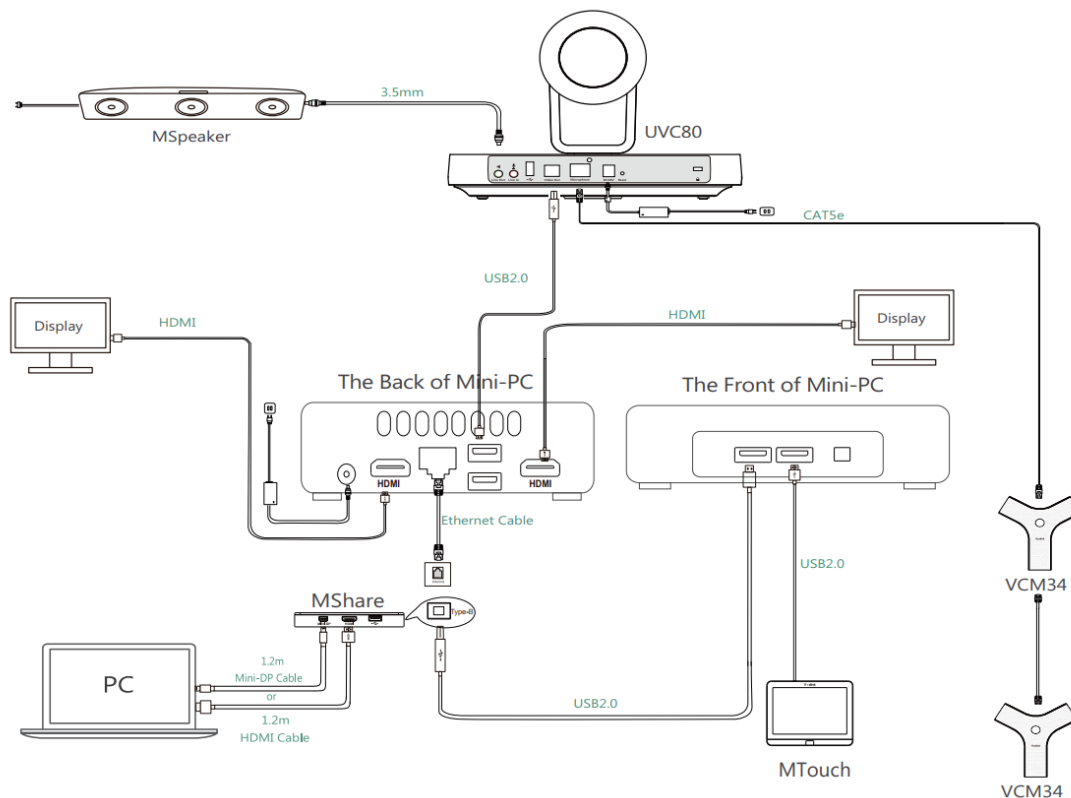


**Note:** Make sure the display devices is connected first. We recommend that you connect a USB dongle to the mini-PC to use wireless mouse and keyboard to finish the setup wizard when the mini-PC is powered on.

- [MVC800](#)
- [MVC500](#)
- [Recommended Deployment Solution](#)

## MVC800

The following is the deployment and connection of MVC800.

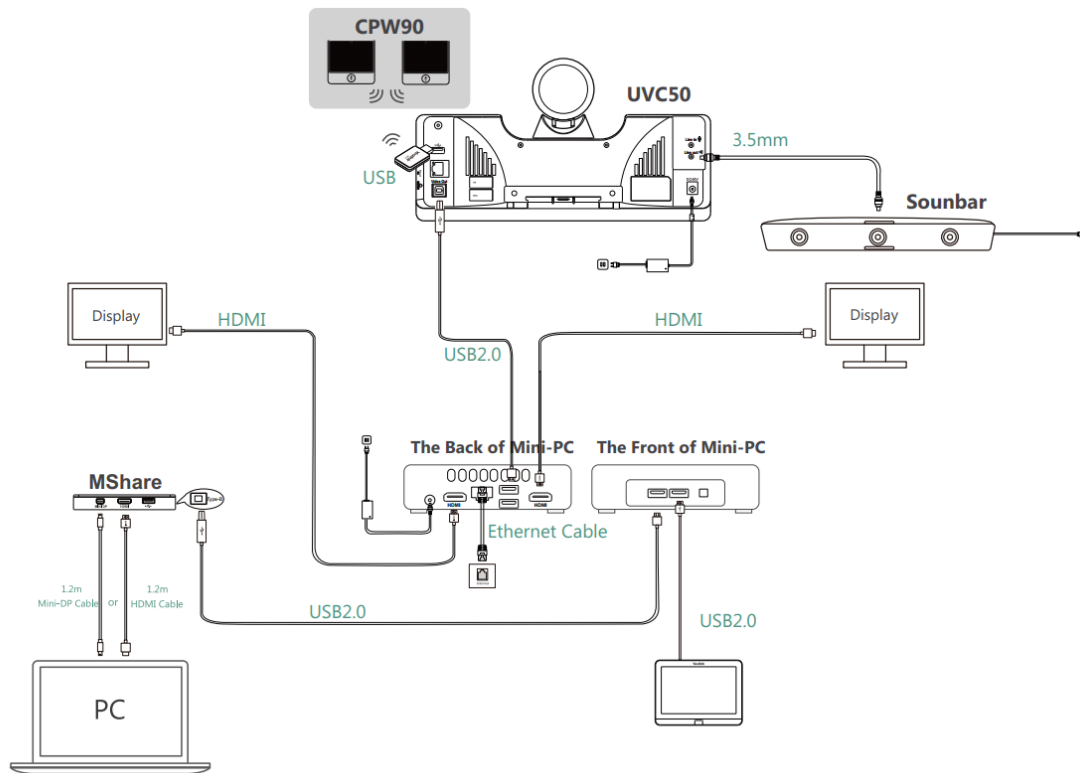


### Note:

For more information about the installation and deployment of accessories (for example, the installation of mini-PC package or UVC80 camera), refer to the Quick Start Guide of corresponding accessory.

## MVC500

The following is the deployment and connection of MVC500.



**Note:**

For more information about the installation and deployment of accessories (for example, the installation of mini-PC package or UVC50 camera), refer to the Quick Start Guide of corresponding accessory.



## Recommended Deployment Solution

Medium-to-large room (13-20 People)	Small-to-medium room (4-12 People)	Small-to-medium room (4-12 People)
MVC800	MVC500-Wireless	MVC500-Wired

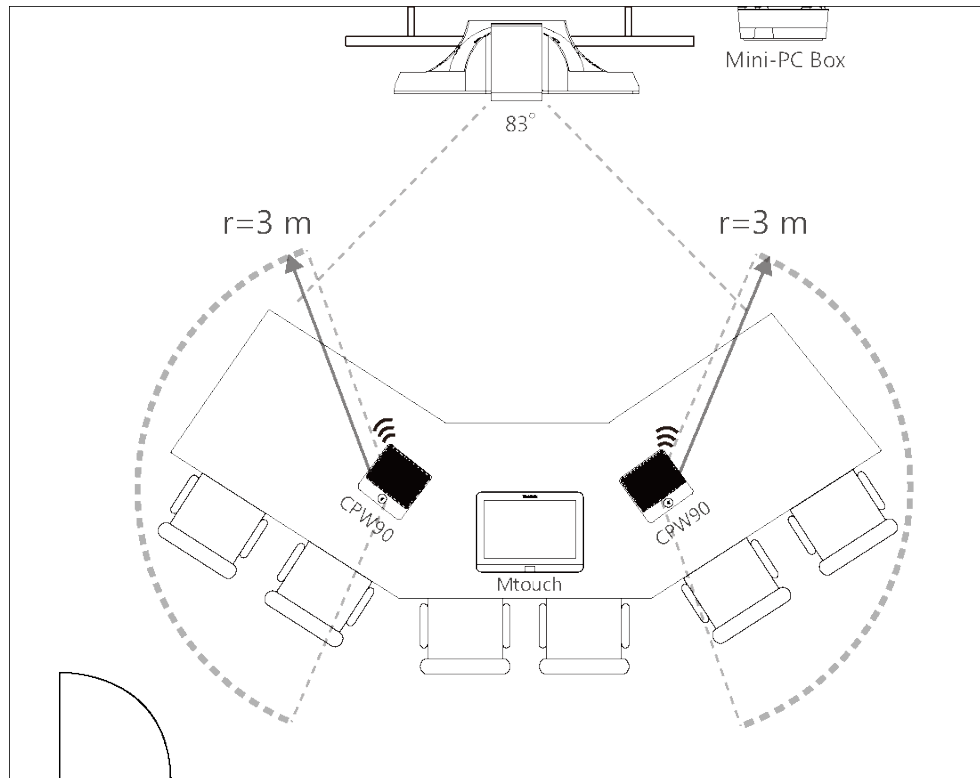
- [Deployment Solutions of Different Meeting Rooms](#)
- [Recommendations of Camera Installation](#)
- [Recommendations of MSpeaker Installation](#)
- [Recommendations of Mini-PC Installation](#)
- [Conference Room Wiring](#)

## Deployment Solutions of Different Meeting Rooms

Yealink MVC800/MVC500 system supports different camera devices (UVC50/UVC80 ) and audio input devices (VCM34/MSpeaker/CPW90) according to the conference requirements. Deployment solutions for different camera devices and audio input devices are as follows:

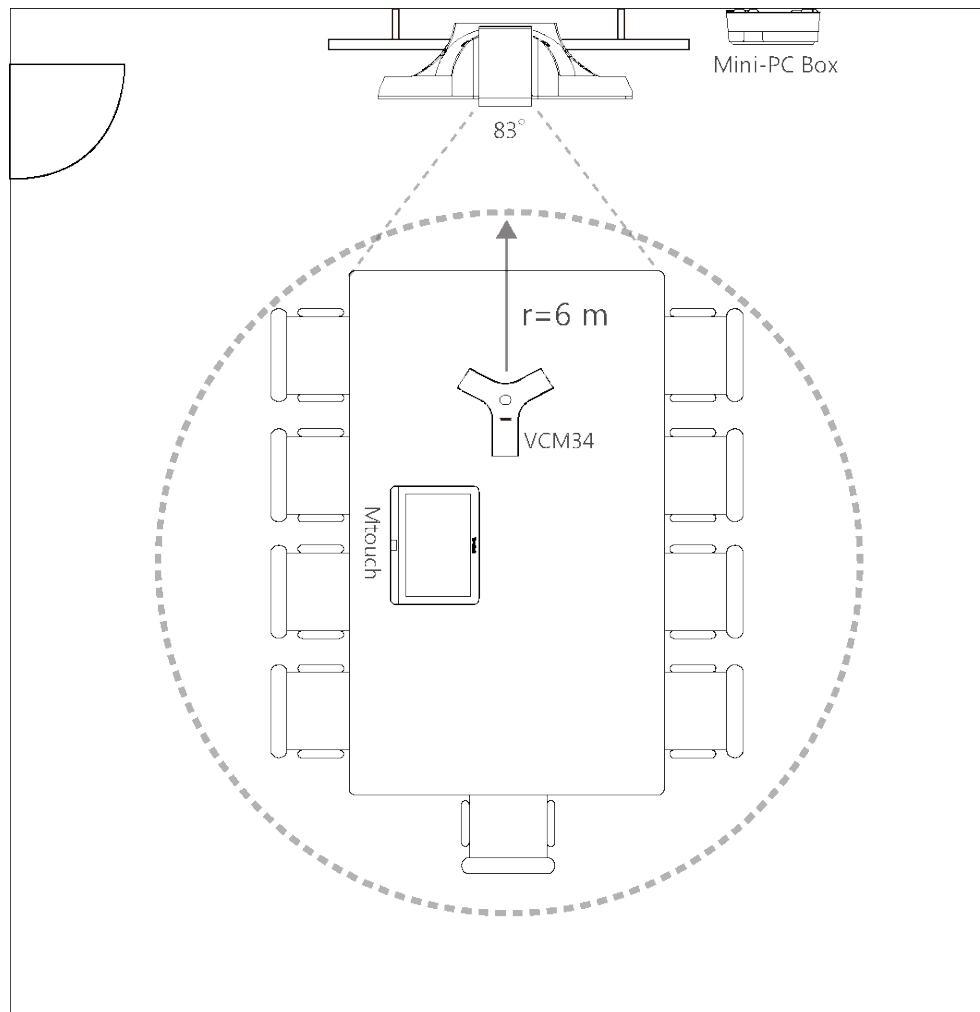
Medium-to-large room (13-20 People)	Small-to-medium room (4-12 People)	Small-to-medium room (4-12 People)
<b>MVC800</b>	<b>MVC500-Wireless</b>	<b>MVC500-Wired</b>
		

### For Small conference room (4-6 people)



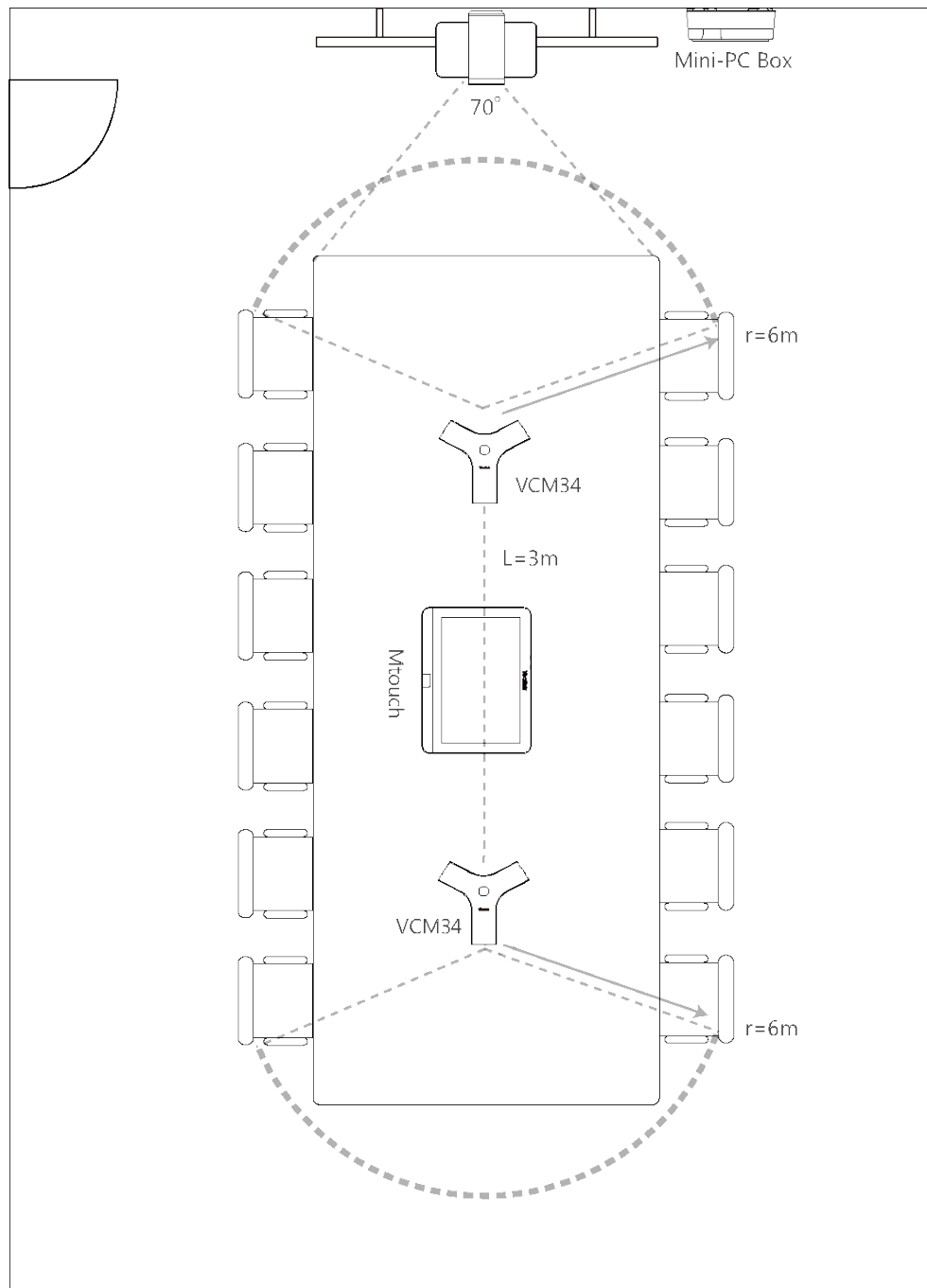
- CPW90 wireless microphones support 360-degree audio pickup at a radius of up to 3 meters.
- Place the CPW90 wireless microphones on a stable surface and keep them away from obstacles, so that they can pick up sounds effectively.

### For Small-to-medium conference room (7-12 people)



- VCM34 supports 360-degree audio pickup at a radius of up to 6 meters.
- The VCM34 can be replaced with 2 CPW90 wireless microphones.

**For Medium-to-large conference room (13-20 people)**



- The distance between the two VCM34s is 3 meters.
- VCM34 supports 360-degree audio pickup at a radius of up to 6 meters and you can cascade up to 4 VCM34 units.



**Note:** The MTouch needs to be placed in a position facing the door.

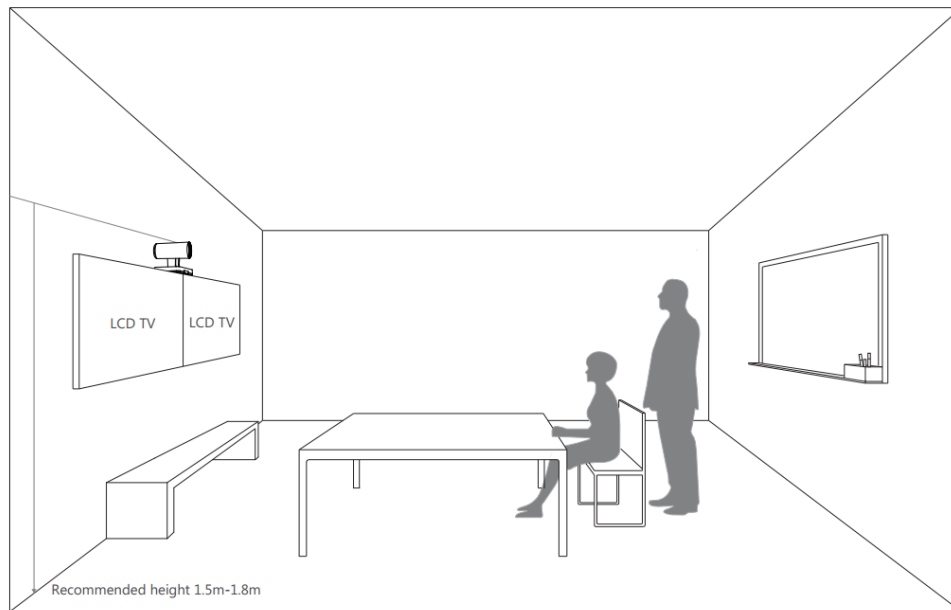
#### Related concepts

[Recommended Deployment Solution](#)

### Recommendations of Camera Installation

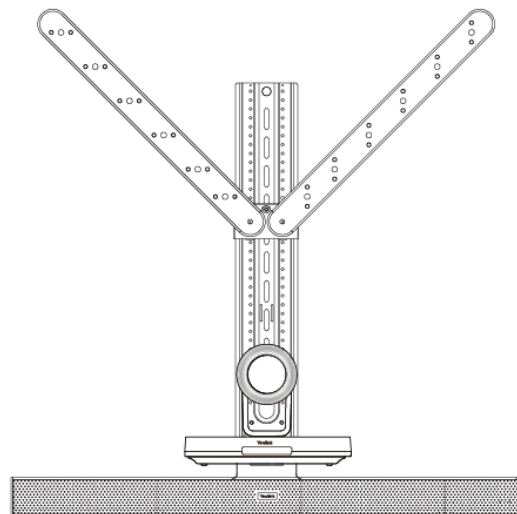
The following is an example of installing UVC80:





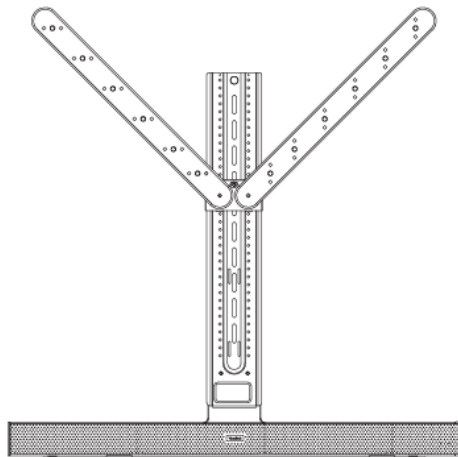
- Install the LCD TV and video camera relative to the center of the participants. Ensure that the participants face the camera and LCD TV directly during calls.
- The camera should be mounted on the wall, about 1.5 m to 1.8 m above the ground. Install the LCD TV below the camera.
- The camera should not face the light source directly, to prevent bad experience caused by dazzling light.

If you purchase the Yealink bracket, the camera can be hung on the Yealink bracket as shown below:



## Recommendations of MSpeaker Installation

If you purchase the Yealink bracket, the MSpeaker can be hung on the Yealink bracket as shown below:



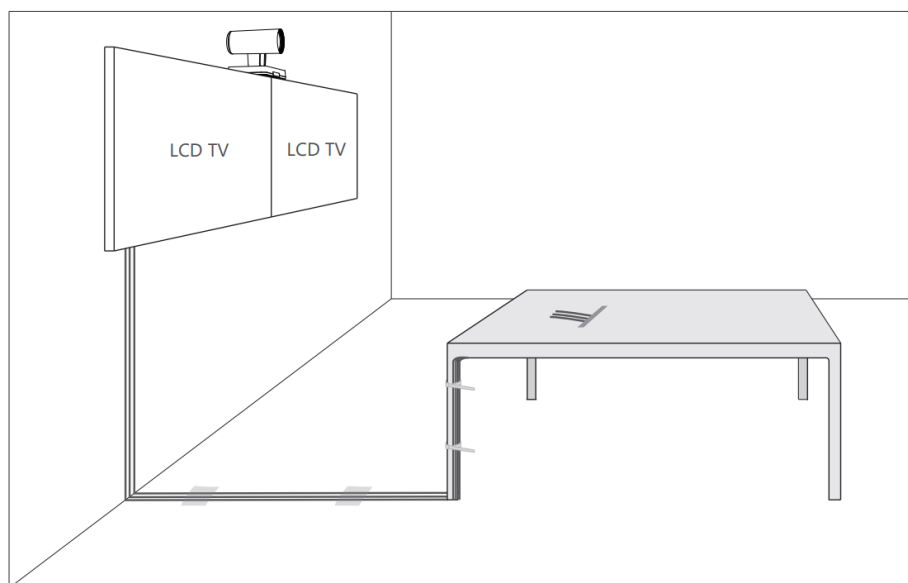
## Recommendations of Mini-PC Installation

You can mount the mini-PC on the wall near the TV, or stick it to the table or the back side of TV cart.

For more information on how to install the mini-PC, please refer to [Yealink Mini-PC Box Quick Start Guide](#).

## Conference Room Wiring

If the conference room has a dedicated routing channel, you can follow the existing way. If not, follow the way below to route and fix the wire.



**Note:** If the cable length exceeds 7 meters, USB extension cables can be used for wiring.

## Initial Setup

---

Once the mini-PC is powered on, the mini-PC will load the Microsoft Windows 10 IoT Enterprise operating system. By default, there are two Windows accounts (Skype user account and administrator user account) built into the MVC system out of the factory.



**Note:** Before setting up the MVC system, we recommend that you connect a USB dongle to the mini-PC to use wireless mouse and keyboard.

- [Skype User Account](#)
- [Administrator User Account](#)

## Skype User Account

---

Skype user account is the default account from which the Microsoft Teams Rooms app runs. This account is limited to running the Microsoft Teams Room app. This account is the default recommended account from which to run Microsoft Teams Room app without a password. No administrator privileges are available from this account.

The default account to run the Microsoft Teams Room is “Skype ” and this account will be automatically signed in when the system boots.

## Administrator User Account

---

Administrator user account is privileged, meaning you can perform any action on the system, with minimal restriction (usually requiring a password for confirmation). The default password is “sfb” without quotes. For daily use such as Skype for Business meetings or Teams meetings, the administrator credentials are not needed. The admin account is only used for device management.

### Related tasks

[Administrator Sign-in](#)

## Setting up Yealink MVC800/MVC500

---

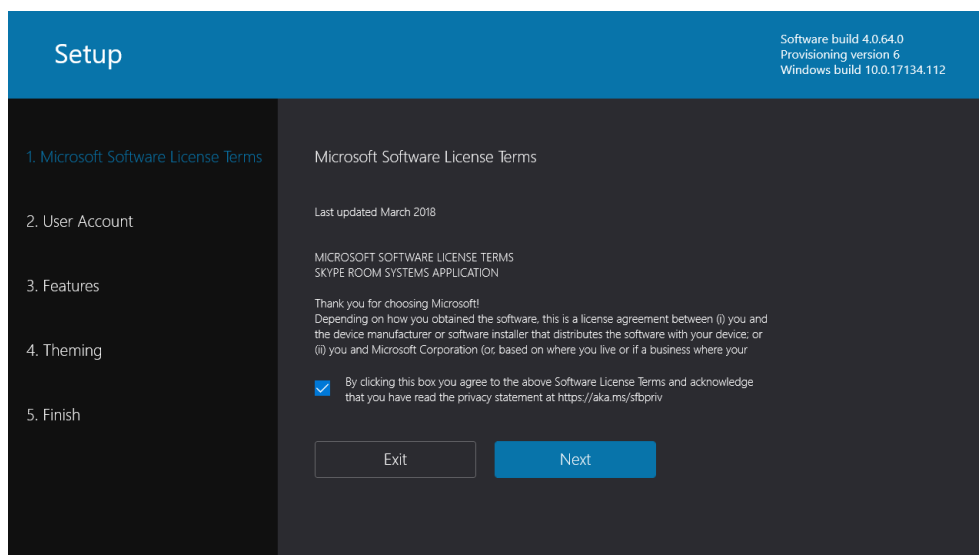
When the system is powered on, the device will automatically launch the Microsoft Teams Rooms app and enter the sign in screen. To use the device and basic features on the Teams Room Systems, you should finish the setup wizard first.

### Before you begin

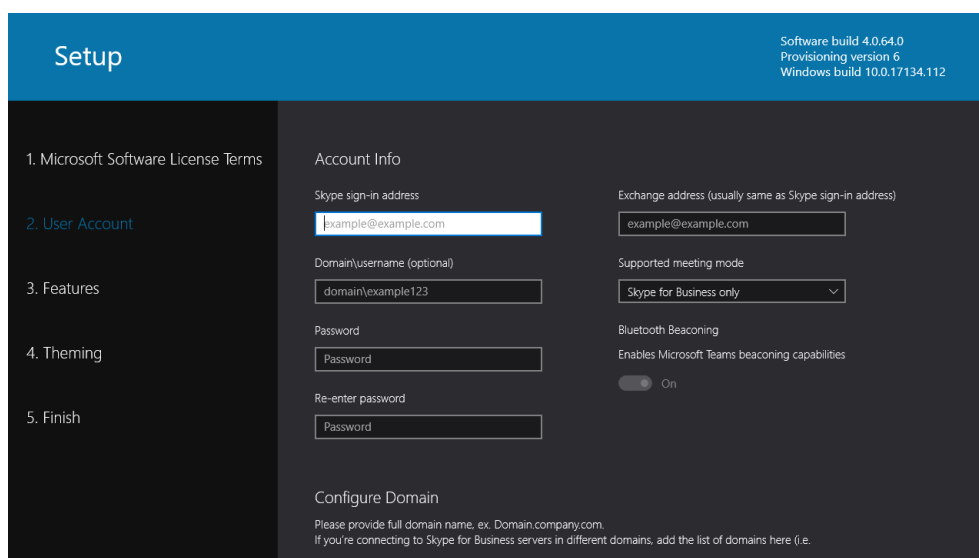
Make sure all components are connected correctly.

### Procedure

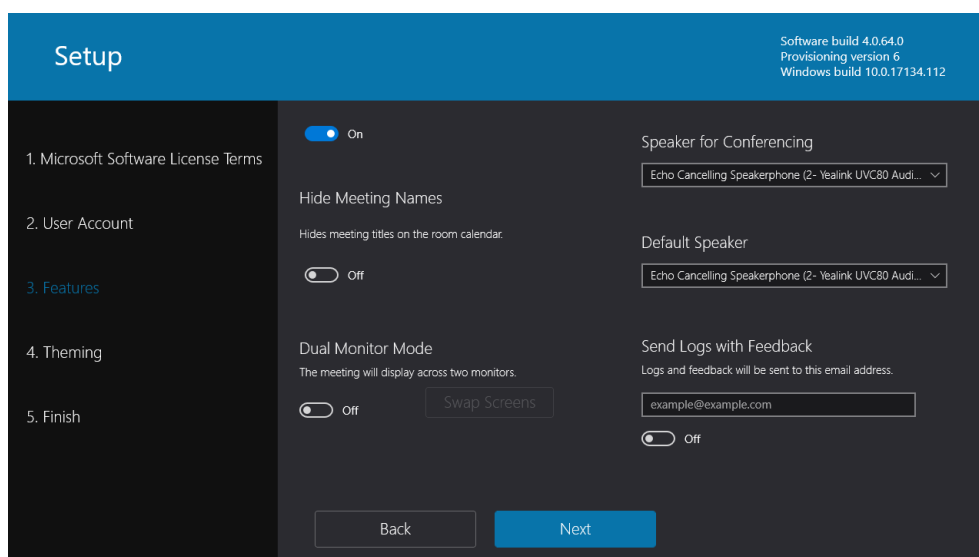
1. Tap **Sign in** to enter the **Setup** screen.
2. Check the checkbox in the **Microsoft Software License Terms** page, and then tap **Next**.  
Contact your administrator for a permanent license if necessary.




3. Enter the skype account, the password and re-enter the password in the **User Account** page, and then tap **Next**.



4. Configure the corresponding features and then tap **Next**.



5. Leave the settings in the **Theming** page to **Default** or configure it as you like, and then tap **Next**.
6. Tap **Finish** to complete the setup wizard.

 **Tip:** If you want to use Teams meetings, you can choose the meeting mode to be **Skype for Business (default) and Microsoft** or **Skype for Business and Microsoft (default)** in the **User Account** page.

## Basic Settings of Teams Room Systems

---

This section describes the following basic settings for the Teams Room Systems.

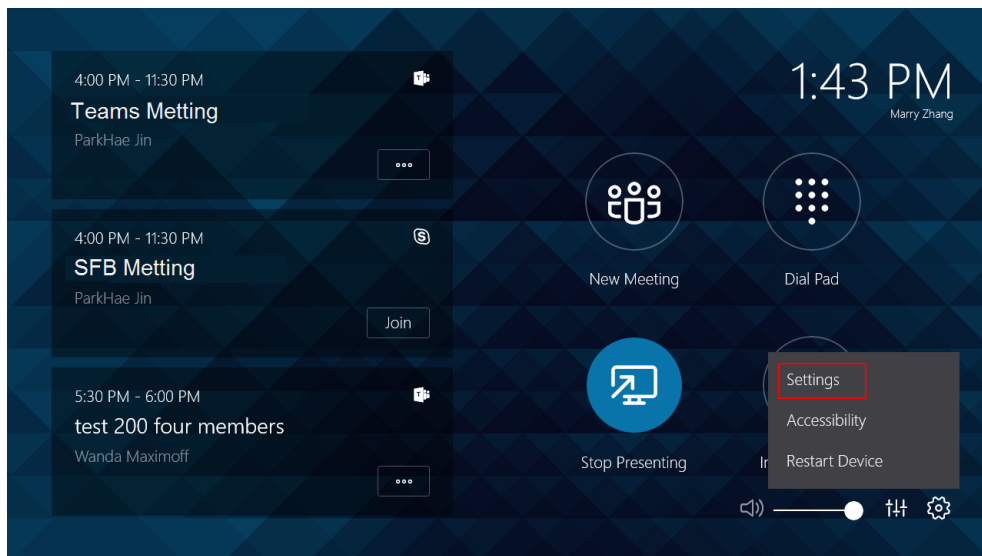
- [Changing Sign-In Account](#)
- [Administrator Sign-in](#)
- [Restarting the Device](#)
- [Single and Dual External Display](#)
- [Content Sharing](#)
- [Controlling UVC80/UVC50 Camera Position](#)
- [Resetting UVC80/UVC50 Camera to Home Position](#)

## Changing Sign-In Account

---

### Procedure

1. Navigate to  > **Settings**.



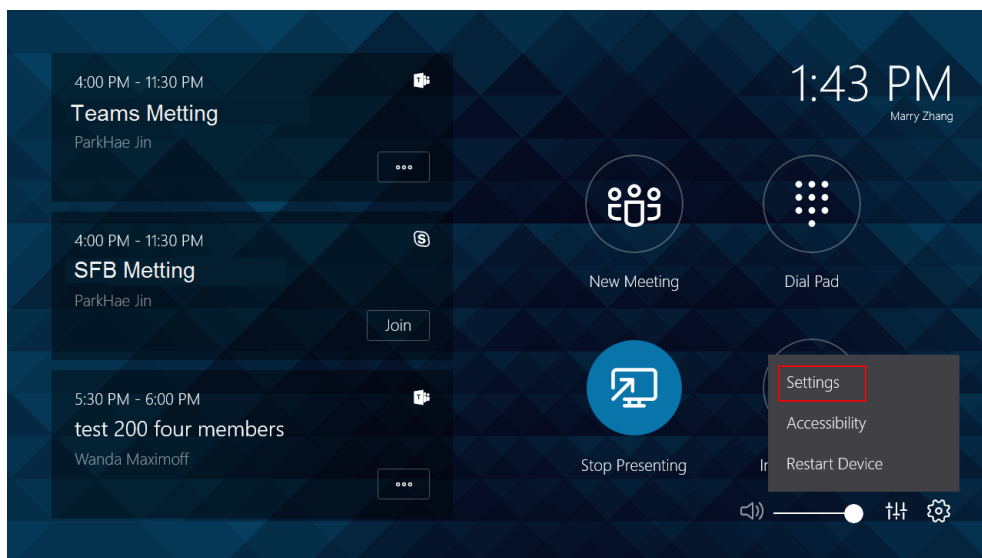
2. Enter the administrator password (default: sfb) to access the **Setup** page.
3. In the **User Account** page, enter the account information in the corresponding field.
4. Tap **Save and Exit**.  
The new account will sign in automatically.

## Administrator Sign-in

You can sign in as an administrator and the administrator account provides the system administration capabilities to manage the device.

### Procedure

1. Navigate to  > **Settings**.



2. Enter the administrator password (default: sfb) to access the **Setup** screen.
3. Navigate to **Windows Settings** > **Go to Admin Sign-in**.
4. Select **Administrator** from the bottom-left corner.

5. Enter the administrator password (default: sfb) and then sign in.

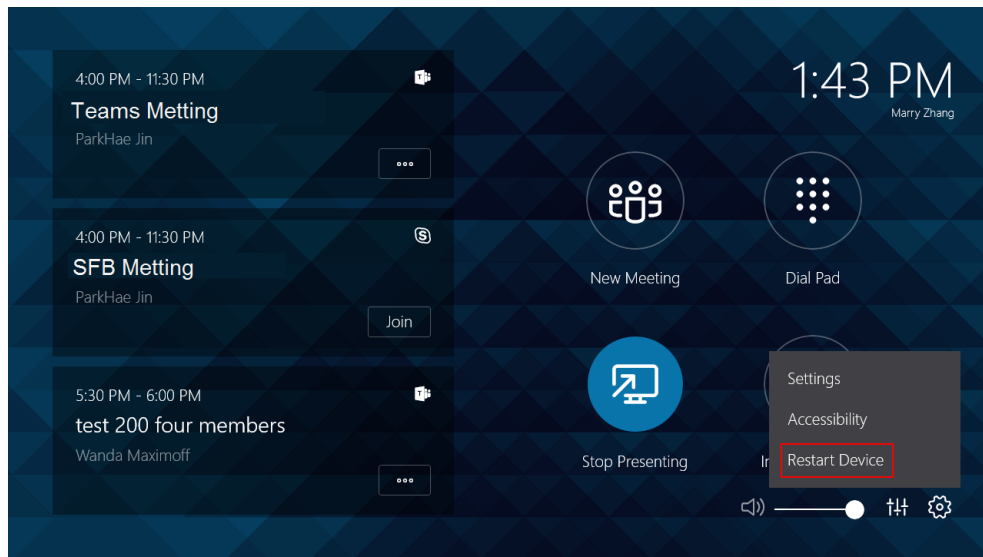
## Restarting the Device

---

After you restart the device, it will automatically launch the Teams Room Systems app and sign in the account.

### Procedure

Navigate to  > **Restart Device**.



## Single and Dual External Display

---

To fully enjoy video and content sharing in the meeting, at least one external display is recommended to be connected to the mini-PC. If you connect two external displays, the second screen will display the shared content in full screen.

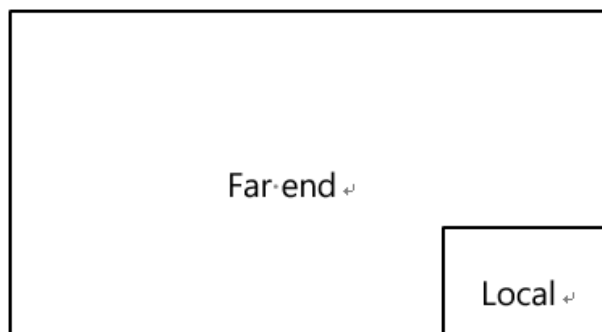
 **Note:** If you want to use two external displays, make sure the dual monitor mode is enabled.

- [Single Screen Layouts](#)
- [Dual Screen Layouts](#)
- [Enabling Dual Monitor Mode](#)

### Single Screen Layouts

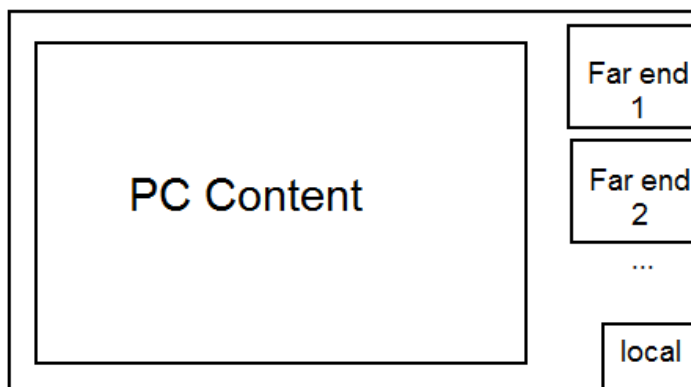
The following introduces the default layout when you connect one display screen.

#### Only Video Calls



### Video Calls with a Presentation

The PC content is given prominence in the largest pane and other participants are displayed beside the PC content.



 **Tip:** Tap **Layout** to display the shared content in full screen.

### Dual Screen Layouts

The following introduces the default layout when you connect two displays.

One external display displays the remote video feeds and the other display will be reserved for content sharing.



#### Related tasks

[Enabling Dual Monitor Mode](#)

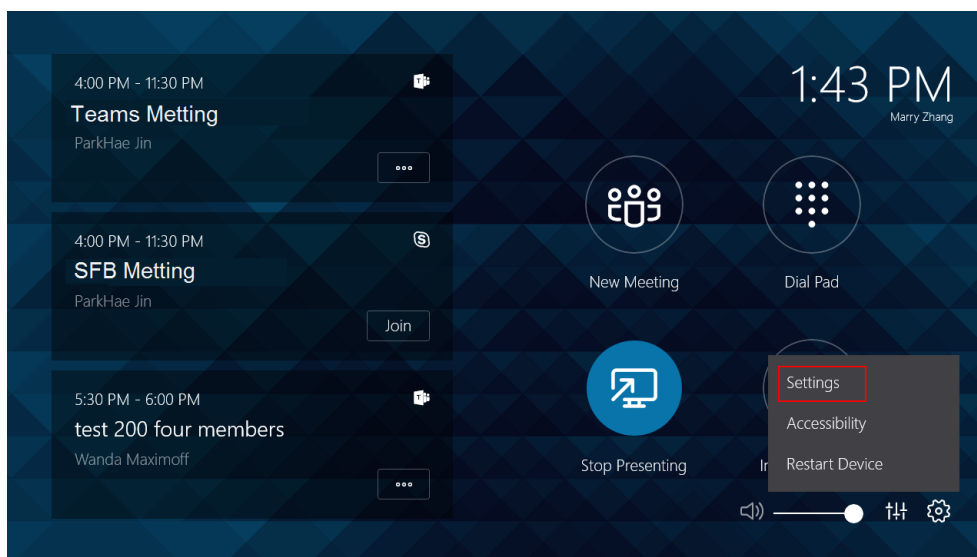
### Enabling Dual Monitor Mode

Before using two external display devices, you should enable dual monitor mode first.

#### Procedure

1. Navigate to  > **Settings**.





2. Enter the administrator password (default: sfb) to access the **Setup** screen.
3. In the **Features** setting page, enable **Dual Monitor Mode**.
4. Tap **Save and Exit**.

## Content Sharing

---

You can present the content while the device is idle or during a meeting.

- [Wired Content Sharing](#)
- [Wireless Content Sharing](#)

### Wired Content Sharing

After the MShare is connected to the PC, you can use MShare for wired content sharing.

#### Procedure

Do one of the following:

- From the idle screen, tap **Present** to start content sharing.
- During a meeting, tap **Present** to start content sharing with the participants.

### Wireless Content Sharing

You can use Yealink WPP20 wireless presentation pod for wireless content sharing. Before content sharing, you should pair the WPP20 with the MShare and then connect it to the computer.

- [Pairing the WPP20 with the MShare](#)
- [Sharing Content via WPP20](#)
- [Stopping Sharing Content via WPP20](#)

#### Pairing the WPP20 with the MShare

#### Procedure

1. Connect the WPP20 to the USB port of the MShare.
2. Wait for about 3 seconds, the WPP20 LED indicator glows solid green.

The WPP20 is paired with the MShare successfully.

## Sharing Content via WPP20

### Procedure

1. Make sure the WPP20 wireless presentation pod is connected to your computer.
2. Do one of the following:
  - On the WPP20, press the presentation button to share the full screen.
  - On the WPP20, long press the presentation button for 3 seconds and then release this button. Select the file or window you want to share and then click **Share Now**.
  - On the Yealink Wireless Presentation Pod software, click Contents Share and choose the file you want to share, and then click **Share Now**.

The content you want to share is automatically projected to the device.

## Stopping Sharing Content via WPP20

### Procedure

Do one of the following:

- On your computer, remove the WPP20.
- On the WPP20, press the presentation button.
- On the Yealink Wireless Presentation Pod software, click **Stop Sharing**.






#### Tip:

- You can tap **Stop Present** to stop sharing content when the device is idle.
- During a meeting, tap **Stop Presenting** to stop sharing content with the participants.

## Controlling UVC80/UVC50 Camera Position

---


### Procedure

1. Tap  to enter the **Camera Control** page.
2. Tap  /  to zoom camera out/in.
3. Tap the arrow keys to pan/tilt the camera.

## Resetting UVC80/UVC50 Camera to Home Position

---

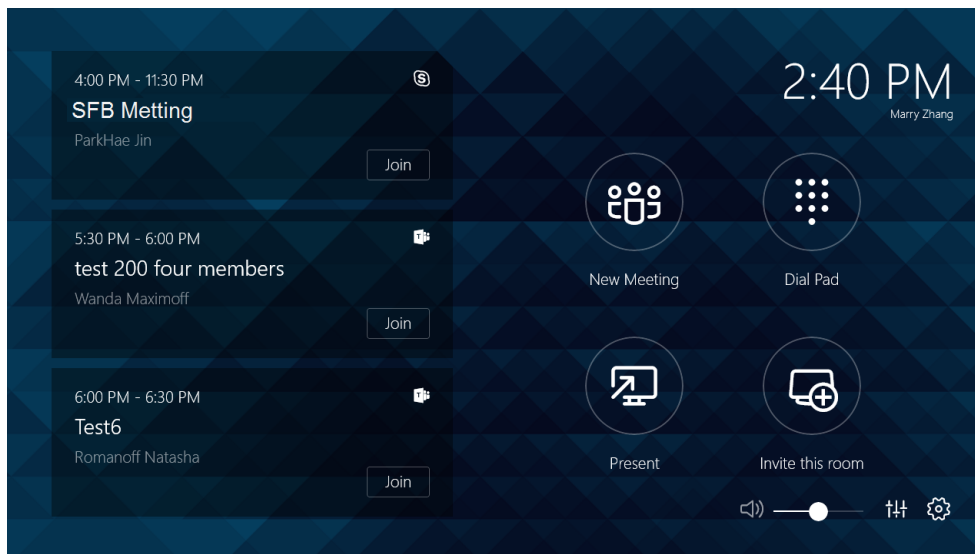
### Procedure

1. Tap  to enter the **Camera Control** page.
2. Tap **Reset**.

## Basic Features for Microsoft Teams Rooms App

---

After you set up your device, the touch screen console is displayed on the screen. The touch screen console is the heart of every meeting in the meeting room.



On the screen, you can do the following:

- Join a Skype for Business meeting which is prescheduled via Outlook, where the organizer added the meeting room as the location of the meeting.
- Instantly start a new Skype for Business/Teams meeting by tapping **New Meeting**.
- Make a phone call via **Dial Pad**, using the PSTN calling integration in Skype for Business/Teams meeting.
- Project your PC to the screen in the front of room, by tapping **Present**.
- Invite the room to easily make any meeting a Skype for Business/Teams meeting, instantly projecting to the display in the room and sharing with remote participants.

For more information on how to use the specific features, please refer to [Microsoft Teams Rooms Help](#).

## Troubleshooting

---

This section describes solutions to common issues that may occur while using the Yealink MVC800/MVC500. Upon encountering a case not listed in this section, contact your Yealink reseller for further support.

- [Upgrading System Software](#)
- [General Issues](#)

### Upgrading System Software



---

The system software(including the Windows, the UVC80/UVC50, the MTouch and the MShare) can be automatically upgraded via windows update by default. Otherwise, you should enable automatically windows update or upgrade the devices manually.

- [Enabling Automatically Windows Update](#)
- [Manually Windows Update](#)




## Enabling Automatically Windows Update

### Procedure

1. Navigate to  > **Settings**.
2. Enter the administrator password (default: sfb) to access the **Setup** screen.
3. Navigate to **Windows Settings > Go to Admin Sign-in**.
4. Select **Administrator** from the bottom-left corner and then enter the administrator password.
5. Tap the  button , and then go to **Settings > Upgrade & Security > Windows Update**, and select **Advanced options**.
6. Enable **Automatically download updates, even over metered data connections(charge may apply)**.

## Manually Windows Update

### Procedure

1. Navigate to  > **Settings**.
2. Enter the administrator password (default: sfb) to access the **Setup** screen.
3. Navigate to **Windows Settings > Go to Admin Sign-in**.
4. Select **Administrator** from the bottom-left corner and then enter the administrator password.
5. Do one of the following:
  - Long tap the  button and then select **Device Manager**.  
Select the desired device and then long tap the device to select **Update driver**.  
Select a desired way to update.
  - Tap the  button , and then go to **Settings > Upgrade & Security > Windows Update**, and select **Check for updates**.  
Select the desired device and then complete the installation.

## General Issues

---

- [Does the MVC500/MVC800 Come with All the Necessary Software Pre-installed?](#)
- [The Room Is Not Enabled for Teams Meetings](#)
- [There Is No Content Displayed on the Second Display](#)
- [Why Can not Click Finish After Completing the Setup Wizard?](#)
- [Any Anti-virus Software Needed to Be Installed on the Mini-PC?](#)


### Does the MVC500/MVC800 Come with All the Necessary Software Pre-installed?

The MVC500/MVC800 comes with factory imaged Windows 10 IoT and installed with all the necessary software. The only customer requirements are Teams, Skype for Business or Lync credentials to run on the MVC. For more information, refer to [Microsoft Teams Rooms](#).

### The Room Is Not Enabled for Teams Meetings

You should enable Teams meeting mode on your system before using the Teams meetings.

## Procedure

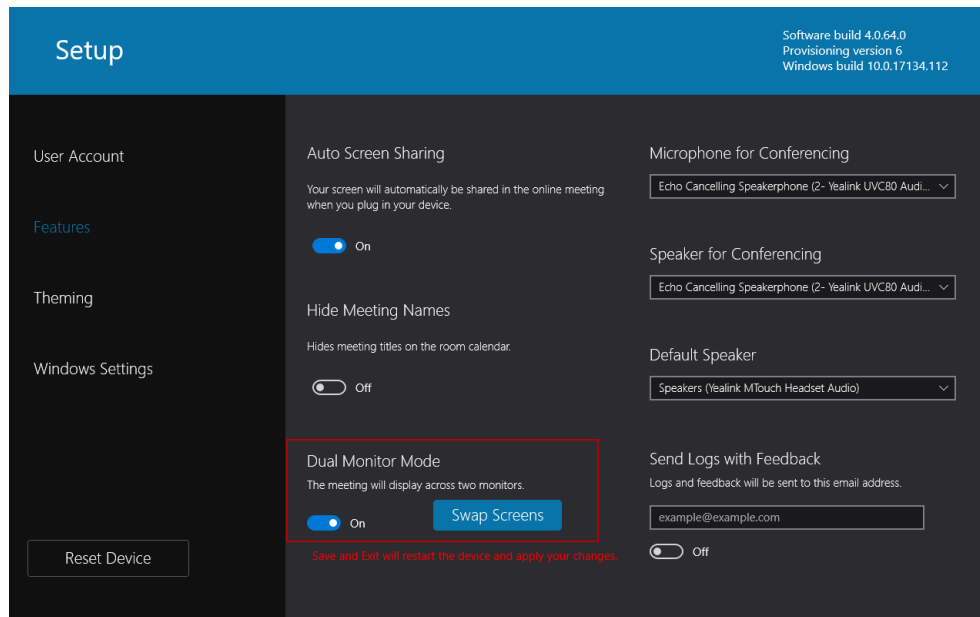
1. Navigate to  > **Settings**.
2. Enter the administrator password (default: sfb) to access the **Setup** screen.
3. In the **User Account** page, select **Skype for Business (default) and Microsoft Teams** or **Skype for Business and Microsoft Teams (default)** from the **Supported meeting mode** field.
4. Tap **Save and Exit**.

The configuration takes effect after the system restarts.

## There Is No Content Displayed on the Second Display

Do one of the following:

- Ensure both displays are properly connected to the HDMI ports on the back of the mini-PC.
- Ensure the **Dual Monitor** mode is enabled on the **Features** settings page.
- Restart the device if necessary.



### Related tasks

[Enabling Dual Monitor Mode](#)

## Why Can not Click Finish After Completing the Setup Wizard?

Ensure that the MShare is connected to your mini-PC.

## Any Anti-virus Software Needed to Be Installed on the Mini-PC?

Microsoft itself has Windows Defender, a legitimate antivirus protection plan already built into Windows 10. But not all antivirus software are the same, you can choose antivirus software based on its ability to defend against threats.

## Appendix

---

Get more about the end-to-end approach to planning, delivering, operating Microsoft Teams Rooms, the deployment of Microsoft Teams Rooms and how to configure a Microsoft Teams Rooms console, see the following links:

- For more information on how to plan Microsoft Teams Rooms, please visit [Plan Microsoft Teams Rooms](#).
- For more information on the deployment of Microsoft Teams Rooms, please visit [Deployment Overview](#).
- For more information on how to configure a Microsoft Teams Rooms console, please visit [Configure a Microsoft Teams Rooms Console](#).