

Cisco Catalyst 3850 Series Switch Datasheet



Router-Switch.com
Leading Network Hardware Supplier

CONTENT

Content	1
Overview	2
Appearance	2
Key Features and Benefits	3
Product Specifications	5
Basic Ordering Information.....	13
Additional Information	22
Where to Buy	22
Sources.....	22

Contact Us

Tel: +1-626-239-8066 (USA) +852-3050-1066 / +852-3174-6166 /

+852-9795-4940 (Hong Kong)

Fax: +852-3050-1066 (Hong Kong)

Email: cisco@router-switch.com (Sales Inquiries)

ccie-support@router-switch.com (CCIE Technical Support)

OVERVIEW

The Cisco 3850 series of Catalyst switches is a superior option for advanced converged wired/WiFi networks within medium-to-large scale operations. These are designed for organizations with the need for large data pipes - up to 40Gbps per switch - and a single integrated solution for managing their mixed network through a single, powerful architecture.

The Cisco Catalyst 3850 line has 24 or 48 Gigabit Ethernet ports, along with a modular design for the uplinks, allowing for configurations of either 4x Gigabit Ethernet, 2x 10-Gigabit Ethernet, or 4x 10-Gigabit Ethernet uplinks. Two specialty 3850 models allow for either 12 or 24 SFP+ ports for complete flexibility. The built-in WiFi access point controller can handle up to 50 access points, and 2,000 concurrent users.

APPEARANCE

All switches ship with one of the five power supplies (350WAC, 715WAC, 750WAC, 1100WAC, or 440WDC). Figures 1 through 3 show the Cisco Catalyst 3850 Series Switches.

Figure 1. Cisco Catalyst 3850 Series Switches



Figure 2. Cisco Catalyst 3850 Switches with 12 and 24 1/10 Gigabit Ethernet SFP+ Ports



Figure 3. Cisco Catalyst 3850 Switches with 12 and 24 1 Gigabit Ethernet SFP Ports



Figure 4. Cisco Catalyst 3850 Switches with 10 Gigabit Ethernet 48 ports



KEY FEATURES AND BENEFITS

Features

Cisco Digital Network Architecture

- Only Cisco delivers a digital-ready approach that starts at the edge and extends to where applications reside.

Converged wired and wireless

- The Catalyst 3850 switch gives you smart, simple, and highly secure converged access with an integrated wireless controller. Support up to 100 access points and 2000 wireless clients on each switching entity (switch or stack).

Cisco Catalyst Multigigabit Technology

- Support 802.11ac Wave 2 with Catalyst Multigigabit Technology and get speeds beyond 1 Gigabit on existing Category 5e/6 cables. The 3850 switch has multigigabit ports to support 1, 2.5, 5, and 10-Gbps speeds on select models.

PoE, PoE+, and UPOE

- Power your solutions with support for PoE and PoE+ to provide up to 30W of power per port, or 60W of power per port with UPOE. Remove the need for additional electrical cabling and circuits to power your access points and IP phones. Add power to your solutions.

Effective security

- Get support for Flexible NetFlow, Cisco TrustSec, and MACsec encryption. Use your network as a security sensor and enforcer.

Cisco StackWise-480 technology

- Achieve scalability and resiliency with 480 Gbps of stack throughput. Get much higher speeds than previous switching generations.

Benefits

Converged Wired plus Wireless Access

The Cisco Catalyst 3850 is the first stackable access switching platform that enables wired plus wireless services on a single Cisco IOS XE Software-based platform. With this, Cisco has pioneered a host of rich capabilities such as high availability based on stateful switchover (SSO) on stacking, granular QoS, security, and Flexible Netflow (FNF) across wired and wireless in a seamless fashion. Also, the wired plus wireless features are bundled into a single Cisco IOS Software image, which reduces the number of software images that users have to qualify/certify before enabling them in their network. The single console port for command-line interface (CLI) management reduces the number of touch points to manage for wired plus wireless services, thereby reducing network complexity, simplifying network operations, and lowering the TCO to manage the infrastructure.

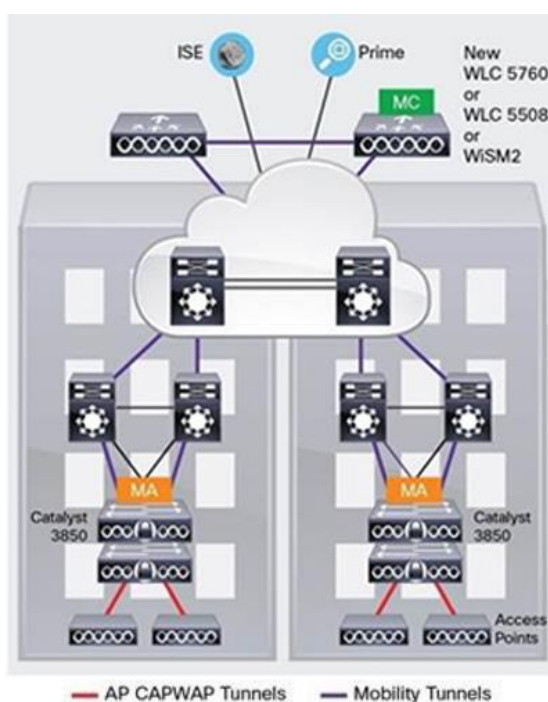
Converged wired plus wireless not only improves wireless bandwidth across the network but also the scale of wireless deployment. Each 48-port Cisco Catalyst 3850 provides 40 Gbps of wireless throughput (20 Gbps on the 24-port/12-port models). This wireless capacity increases with the number of members in the stack. This makes sure that the network can scale with current wireless bandwidth requirements, as dictated by IEEE 802.11n-based access points and with future wireless standards such as IEEE 802.11ac. Additionally, the Cisco Catalyst 3850 distributes the wireless controller functions to achieve better scalability. Each Cisco Catalyst 3850 switch/stack can operate as the wireless controller in two modes (Figure 8):

- **Mobility agent (MA):** This is the default mode in which a Cisco Catalyst 3850 switch ships. In this mode the switch is capable of terminating the CAPWAP tunnels from the access points and providing wireless connectivity to wireless clients. Maintaining wireless client databases and configuring and enforcing security and QoS policies for wireless clients and access points can be enforced in this mode. No additional license on top of IP Base is required to operate in the mobility agent mode.

- **Mobility controller (MC):** In this mode, the Cisco Catalyst 3850 switch can perform all the mobility agent tasks in addition to mobility coordination, radio resource management (RRM), and Cisco CleanAir® coordination within a mobility subdomain. The mobility controller mode can be enabled on the switch CLI. IP Base license level is required when the Cisco Catalyst 3850 switch is acting as the mobility controller. A centrally located Cisco 5508 Wireless LAN Controller (WLC 5508), Cisco Wireless Services Module 2 (WiSM2) (when running AireOS Version 7.3), and Wireless LAN Controller 5760 can also perform this role for larger deployments.

With mobility agents located in the wiring closets providing 40 Gbps of wireless per 48-port Gigabit Ethernet RJ45 switch ($n \times 40$ Gbps for a stack of n switches) and mobility controllers managing some of the central wireless functions, the converged access-based wireless deployment provides best-in-class scalability for wireless and significantly improved wireless throughput.

Figure 5. Mobility Controller (MC) and Mobility Agent (MA)



PRODUCT SPECIFICATIONS OF CISCO CATALYST 3850 SERIES	
Cisco Catalyst 3850 Performance Specifications	
Performance Numbers for All Switch Models	
Switching capacity	176 Gbps on 48-port Gigabit Ethernet model

	<p>92 Gbps on 24-port Gigabit Ethernet model</p> <p>68 Gbps on 12-port Gigabit Ethernet model</p> <p>640 Gbps on 24-port Multigigabit Ethernet model</p> <p>472 Gbps on 48-port Multigigabit Ethernet model</p> <p>1280 Gbps on 48-port 10 Gigabit Ethernet SFP+ model</p> <p>640 Gbps on 24-port 10 Gigabit Ethernet SFP+ model</p> <p>320 Gbps on 12-port 10 Gigabit Ethernet SFP+ model</p>
Stacking bandwidth	480 Gbps
Total number of MAC addresses	32,000
Total number of IPv4 routes (ARP plus learned routes)	24,000
FNF entries	<p>48,000 flow on 48-port Gigabit Ethernet models</p> <p>24,000 flows on 12-port and 24-port Gigabit Ethernet models</p> <p>96,000 flows on 48-port 10 Gigabit Ethernet SFP+ model</p> <p>48,000 flows on 24-port 10 Gigabit Ethernet SFP+ model</p> <p>24,000 flows on 12-port 10 Gigabit Ethernet SFP+ model</p>

DRAM	4 GB (8 GB on 48-port SFP+ model)
Flash	2 GB (4 GB on 12-port and 24-port SFP+ models, 8 GB on 48-port SFP+ model)
VLAN IDs	4,000
Total switched virtual interfaces (SVIs)	1,000
Jumbo frame	9198 bytes
Total routed ports per 3850 stack	208
Wireless	
Number of access points per switch/stack	100
Number of wireless clients per switch/stack	2000
Total number of WLANs per switch	64
Wireless bandwidth per switch	Up to 40 Gbps on 48-port Gigabit Ethernet model Up to 20 Gbps on 24-port Gigabit Ethernet model
Supported Aironet access point series	3600, 3500, 2600, 1600, 1260, 1140, 1040
Forwarding Rate of Switch Models (with 2 x 10 Gigabit + 2 x 1 Gigabit Ethernet uplinks for 12-Port and 24-Port Models and 4 x 10 Gigabit Ethernet Uplinks for 48-Port Models)	
Model	Forwarding Rate
WS-C3850-12S	50.5 Mpps
WS-C3850-24T	68.4 Mpps

WS-C3850-24P		
WS-C3850-24S		
WS-C3850-48T	130.95 Mpps	
WS-C3850-48P		
WS-C3850-48F		
WS-C3850-24XU	500 Mpps (80B packets)	
WS-C3850-12X48U	460 Mpps (64B packets)	
WS-C3850-12XS	227.28 Mpps	
WS-C3850-24XS	454.55 Mpps	
WS-C3850-48XS	909 Mpps	
Dimensions, Weight, Acoustic, MTBF, and Environmental Range		
Dimensions (H x W x D)	Inches	Centimeters
WS-C3850-12S	1.75 x 17.5 x 17.7	4.45 x 44.5 x 45.0
WS-C3850-24S		
WS-C3850-24T		
WS-C3850-24P		
WS-C3850-48T		
WS-C3850-48P		
WS-C3850-48F	1.75 x 17.5 x 19.2	4.45 x 44.5 x 48.8
WS-C3850-48U		
WS-C3850-24U		

WS-C3850-24XU		
WS-C3850-12X48U		
WS-C3850-12XS	1.75 x 17.5 x 17.7	4.45 X 44.5 x 45.0
WS-C3850-24XS		
WS-C3850-48XS	1.75 x 17.5 x 20.1	4.45 X 44.5 x 51.1
Weight	Pounds	Kilograms
WS-C3850-12S	15.48	7.02
WS-C3850-24S	15.5	7.03
WS-C3850-24T	15.9	7.2
WS-C3850-24P	16.3	7.4
WS-C3850-24U	16.5	7.5
WS-C3850-48T	17.0	7.7
WS-C3850-48P	17.4	7.9
WS-C3850-48F	17.6	8.0
WS-C3850-48U	17.6	8.0
WS-C3850-24XU	17.6	8.0
WS-C3850-12X48U	17.6	8.0
WS-C3850-12XS	12.9	5.8
WS-C3850-24XS	13.5	6.1

WS-C3850-48XS	16.42	7.45
C3850-NM-4-1G	0.66	0.30
C3850-NM-2-10G	0.71	0.32
C3850-NM-4-10G	0.75	0.34
C3850-NM-8-10G	0.74	0.34
C3850-NM-2-40G	0.62	0.28
MTBF Hours		
WS-C3850-12S	315,840	
WS-C3850-24S	300,760	
WS-C3850-24T	303,230	
WS-C3850-24P	269,450	
WS-C3850-24U	237,310	
WS-C3850-48T	303,660	
WS-C3850-48P	241,050	
WS-C3850-48F	241,050	
WS-C3850-48U	205,110	
WS-C3850-24XU	203,150	
WS-C3850-12X48U	202,030	
WS-C3850-12XS	371,440	

WS-C3850-24XS	307,990
WS-C3850-32XS	307,990
WS-C3850-48XS	286,900
PWR-C1-350WAC	580,710
PWR-C1-715WAC	664,055
PWR-C1-1100WAC	392,174
PWR-C1-440WDC	469,350
C3850-NM-4-1G	7,052,100
C3850-NM-2-10G	4,315,970
C3850-NM-4-10G	3,835,330
C3850-NM-8-10G	6,544,410
C3850-NM-2-40G	9,303,100
Environmental Ranges	
With AC power supply	Normal operating temperature and altitudes:
Operating environment and altitude	<ul style="list-style-type: none"> • -5°C to +45°C, up to 5000 feet (1500m) • -5°C to +40°C, up to 10,000 feet (3000m) <p>* Minimum ambient temperature for cold start is 32°F (0°C)</p> <p>Short-term exceptional conditions:</p> <ul style="list-style-type: none"> • -5°C to +50°C, up to 5000 feet (1500m) • -5°C to +45°C, up to 10,000 feet (3000m)

	<ul style="list-style-type: none"> -5°C to +45°C, at sea level with single fan failure <p>* Not more than following in one-year period: 96 consecutive hours, or 360 hours total, or 15 occurrences.</p>
<p>With DC power supply</p> <p>Operating environment and altitude (NEBS)</p>	<p>Normal operating temperature and altitudes:</p> <ul style="list-style-type: none"> -5°C to +45°C, up to 6000 feet (1800m) -5°C to +40°C, up to 10,000 feet (3000m) -5°C to +35°C, up to 13,000 feet (4000m) <p>Short-term* exceptional conditions:</p> <ul style="list-style-type: none"> -5°C to +55°C, up to 6000 feet (1800m) -5°C to +50°C, up to 10,000 feet (3000m) -5°C to +45°C, up to 13,000 feet (4000m) -5°C to +45°C, at sea level with single fan failure <p>*Not more than following in one-year period: 96 consecutive hours, or 360 hours total, or 15 occurrences.</p>
Relative humidity	10% to 95%, noncondensing
<p>Acoustic noise</p> <p>Measured per ISO 7779 and declared per ISO 9296</p> <p>Bystander positions operating to an ambient temperature of 25°C</p>	<p>With AC or DC power supply (with 24 PoE+ ports loaded):</p> <ul style="list-style-type: none"> LpA: 43dB typical, 45dB maximum LwA: 5.2B typical, 5.5B maximum <p>Typical: Noise emission for a typical configuration</p> <p>Maximum: Statistical maximum to account for variation in production</p>
Storage environment	<p>Temperature: -40°C to 70°C</p> <p>Altitude: 15,000 ft</p>

Vibration	Operating: 0.41Grms from 3 to 500Hz with spectral break points of 0.0005 G2/Hz at 10Hz and 200Hz 5dB/octave roll off at each end.
	Nonoperating: 1.12Grms from 3 to 500Hz with spectral break points of 0.0065 G2/Hz at 10Hz and 100Hz 5dB/octave roll off at each end.
Shock	Operating: 30G, 2ms half sine
	Nonoperating: 55G, 10ms trapezoid

CISCO CATALYST 3850 SERIES BASIC ORDERING INFORMATION

Product Number	Product Description
Cisco Catalyst 3850 Series	
<u>WS-C3850-24T-L</u>	Stackable 24 10/100/1000 Ethernet ports, with 350WAC power supply 1 RU, LAN Base feature set (StackPower cables need to be purchased separately)
<u>WS-C3850-48T-L</u>	Stackable 48 10/100/1000 Ethernet ports, with 350WAC power supply 1 RU, LAN Base feature set (StackPower cables need to be purchased separately)
<u>WS-C3850-24P-L</u>	Stackable 24 10/100/1000 Ethernet PoE+ ports, with 715WAC power supply, 1 RU, LAN Base feature set (StackPower cables need to be purchased separately)
<u>WS-C3850-24U-L</u>	Stackable 24 10/100/1000 Ethernet UPOE ports, with 1100WAC power supply, 1 RU, LAN Base feature set (StackPower cables need to be purchased separately)

<u>WS-C3850-48P-L</u>	Stackable 48 10/100/1000 Ethernet PoE+ ports, with 715WAC power supply, 1 RU, LAN Base feature set (StackPower cables need to be purchased separately)
<u>WS-C3850-48F-L</u>	Stackable 48 10/100/1000 Ethernet PoE+ ports, with 1100WAC power supply, 1 RU, LAN Base feature set (StackPower cables need to be purchased separately)
<u>WS-C3850-48U-L</u>	Stackable 48 10/100/1000 Ethernet UPOE ports, with 1100WAC power supply, 1 RU, LAN Base feature set (StackPower cables need to be purchased separately)
<u>WS-C3850-24T-S</u>	Stackable 24 10/100/1000 Ethernet ports, with 350WAC power supply 1 RU, IP Base feature set
<u>WS-C3850-48T-S</u>	Stackable 48 10/100/1000 Ethernet ports, with 350WAC power supply 1 RU, IP Base feature set
<u>WS-C3850-24P-S</u>	Stackable 24 10/100/1000 Ethernet PoE+ ports, with 715WAC power supply, 1 RU, IP Base feature set
<u>WS-C3850-24U-S</u>	Stackable 24 10/100/1000 Ethernet UPOE ports, with 1100WAC power supply, 1 RU, IP Base feature set
<u>WS-C3850-48P-S</u>	Stackable 48 10/100/1000 Ethernet PoE+ ports, with 715WAC power supply, 1 RU, IP Base feature set
<u>WS-C3850-48F-S</u>	Stackable 48 10/100/1000 Ethernet PoE+ ports, with 1100WAC power supply, 1 RU, IP Base feature set
<u>WS-C3850-48U-S</u>	Stackable 48 10/100/1000 Ethernet UPOE ports, with 1100WAC power supply, 1 RU, IP Base feature set
<u>WS-C3850-24T-E</u>	Stackable 24 10/100/1000 Ethernet ports, with 350WAC power supply

	1 RU, IP Services feature set
<u>WS-C3850-48T-E</u>	Stackable 48 10/100/1000 Ethernet ports, with 350WAC power supply 1 RU, IP Services feature set
<u>WS-C3850-24P-E</u>	Stackable 24 10/100/1000 Ethernet PoE+ ports, with 715WAC power supply, 1 RU, IP Services feature set
<u>WS-C3850-24U-E</u>	Stackable 24 10/100/1000 Ethernet UPOE ports, with 1100WAC power supply, 1 RU, IP Services feature set
<u>WS-C3850-48P-E</u>	Stackable 48 10/100/1000 Ethernet PoE+ ports, with 715WAC power supply, 1 RU, IP Services feature set
<u>WS-C3850-48F-E</u>	Stackable 48 10/100/1000 Ethernet PoE+ ports, with 1100WAC power supply, 1 RU, IP Services feature set
<u>WS-C3850-48U-E</u>	Stackable 48 10/100/1000 Ethernet UPOE ports, with 1100WAC power supply, 1 RU, IP Services feature set
<u>WS-C3850-12X48U-L</u>	Stackable 48 10/100/1000 with 12 100Mbps/1/2.5/5/10 Gbps UPOE Ethernet ports, with 1100W AC power supply, 1RU, LAN Base feature set
<u>WS-C3850-12X48U-S</u>	Stackable 48 10/100/1000 with 12 100Mbps/1/2.5/5/10 Gbps UPOE Ethernet ports, with 1100W AC power supply, 1RU, IP Base feature set
<u>WS-C3850-12X48U-E</u>	Stackable 48 10/100/1000 with 12 100Mbps/1/2.5/5/10 Gbps UPOE Ethernet ports, with 1100W AC power supply, 1RU, IP Services feature set
<u>WS-C3850-24XU-L</u>	Stackable 24 100Mbps/1/2.5/5/10 Gbps UPOE Ethernet ports, with 1100W AC power supply, 1RU, LAN Base feature set
<u>WS-C3850-24XU-S</u>	Stackable 24 100Mbps/1/2.5/5/10 Gbps UPOE Ethernet ports, with 1100W AC power supply, 1RU, IP Base feature set

<u>WS-C3850-24XU-E</u>	Stackable 24 100Mbps/1/2.5/5/10 Gbps UPOE Ethernet ports, with 1100W AC power supply, 1RU, IP Services feature set
<u>WS-C3850-12S-S</u>	Stackable 12 SFP Ethernet ports, with 350WAC power supply, 1 RU, IP Base feature set
<u>WS-C3850-12S-E</u>	Stackable 12 SFP Ethernet ports, with 350WAC power supply, 1 RU, IP Services feature set
<u>WS-C3850-24S-S</u>	Stackable 24 SFP Ethernet ports, with 350WAC power supply, 1 RU, IP Base feature set
<u>WS-C3850-24S-E</u>	Stackable 24 SFP Ethernet ports, with 350WAC power supply, 1 RU, IP Services feature set
<u>WS-C3850-12XS-S</u>	Stackable 12 SFP+ Ethernet ports, with 350WAC power supply, 1 RU, IP Base feature set
<u>WS-C3850-12XS-E</u>	Stackable 12 SFP+ Ethernet ports, with 350WAC power supply, 1 RU, IP Services feature set
<u>WS-C3850-24XS-S</u>	Stackable 24 SFP+ Ethernet ports, with 715WAC power supply, 1 RU, IP Base feature set
<u>WS-C3850-24XS-E</u>	Stackable 24 SFP+ Ethernet ports, with 715WAC power supply, 1 RU, IP Services feature set
<u>WS-C3850-48XS-S</u>	Standalone, 48 SFP+ and 4 QSFP+ Ethernet ports, with 750WAC front-to-back power supply, 1 RU, IP Base feature set
<u>WS-C3850-48XS-E</u>	Standalone, 48 SFP+ and 4 QSFP+ Ethernet ports, with 750WAC front-to-back power supply, 1 RU, IP Services feature set
<u>WS-C3850-48XS-F-S</u>	Standalone, 48 SFP+ and 4 QSFP+ Ethernet ports, with 750WAC back-to-front power supply, 1 RU, IP Base feature set

<u>WS-C3850-48XS-F-E</u>	Standalone, 48 SFP+ and 4 QSFP+ Ethernet ports, with 750WAC back-to-front power supply, 1 RU, IP Services feature set
Cisco Catalyst 3850 Bundles	
<u>WS-C3850-24PW-S</u>	Cisco Catalyst 3850 24-port PoE IP Base with 5 access point license
<u>WS-C3850-48PW-S</u>	Cisco Catalyst 3850 48-port PoE IP Base with 5 access point license
<u>WS-C3850-24UW-S</u>	Cisco Catalyst 3850 24 Port UPOE with 5 access point licenses IP Base
<u>WS-C3850-48W-S</u>	Cisco Catalyst 3850 48 Port PoE with 5 access point licenses IP Base
<u>WS-C3850-48UW-S</u>	Cisco Catalyst 3850 48 Port UPOE with 5 access point licenses IP Base
<u>WS-C3850-24XUW-S</u>	Cisco Catalyst 3850 24 Port UPOE with 24 100Mbps/1/2.5/5/10 Gbps and 5 access point licenses IP Base
<u>WS-C3850-12X48UW-S</u>	Cisco Catalyst 3850 48 Port UPOE with 12 100Mbps/1/2.5/5/10 Gbps and 5 access point licenses IP Base
<u>WS-C3850-16XS-S</u>	Cisco Catalyst 3850 12 SFP+ port stackable model, with C3850-NM-4-10G module and 350WAC power supply. 1 RU, IP Base feature set
<u>WS-C3850-16XS-E</u>	Cisco Catalyst 3850 12 SFP+ port stackable model, with C3850-NM-4-10G module and 350WAC power supply. 1 RU, IP Services feature set
<u>WS-C3850-32XS-S</u>	Cisco Catalyst 3850 24 SFP+ port stackable model, with C3850-NM-8-10G module and 715WAC power supply. 1 RU, IP Base feature set
<u>WS-C3850-32XS-E</u>	Cisco Catalyst 3850 24 SFP+ port stackable model, with C3850-NM-8-10G module and 715WAC power supply. 1 RU, IP Services feature set
Network Modules for the Cisco Catalyst 3850 Series	
<u>C3850-NM-4-1G</u>	4 x Gigabit Ethernet network module spare
<u>C3850-NM-2-10G</u>	4 x Gigabit Ethernet/2 x 10 Gigabit Ethernet network module spare

<u>C3850-NM-BLANK</u>	Network module blank spare
<u>C3850-NM-4-10G</u>	4 x Gigabit Ethernet/4 x 10 Gigabit Ethernet network module spare
<u>C3850-NM-8-10G</u>	8 x Gigabit Ethernet/8 x 10 Gigabit Ethernet network module spare
<u>C3850-NM-2-40G</u>	2 x 40 Gigabit Ethernet network module spare
Software Licenses	
C3850-12-S-E	Cisco Catalyst 3850 12-port IP Base to IP Services RTU paper license
C3850-24-L-S	Cisco Catalyst 3850 24-port Switch LAN Base to IP Base RTU paper license
C3850-48-L-S	Cisco Catalyst 3850 48-port Switch LAN Base to IP Base RTU paper license
C3850-24-L-E	Cisco Catalyst 3850 24-port LAN Base to IP Services RTU paper license
C3850-48-L-E	Cisco Catalyst 3850 48-port LAN Base to IP Services RTU paper license
C3850-24-S-E	Cisco Catalyst 3850 24-port IP Base to IP Services RTU paper license
C3850-48-S-E	Cisco Catalyst 3850 48-port IP Base to IP Services RTU paper license
<u>L-C3850-24-L-S</u>	Cisco Catalyst 3850 24-port LAN Base to IP Base RTU electronic license
<u>L-C3850-48-L-S</u>	Cisco Catalyst 3850 48-port LAN Base to IP Base RTU electronic license
<u>L-C3850-24-L-E</u>	Cisco Catalyst 3850 24-port LAN Base to IP Services RTU electronic license
<u>L-C3850-48-L-E</u>	Cisco Catalyst 3850 48-port LAN Base to IP Services RTU electronic license
<u>L-C3850-24-S-E</u>	Cisco Catalyst 3850 24-port IP Base to IP Services RTU electronic license

<u>L-C3850-48-S-E</u>	Cisco Catalyst 3850 48-port IP Base to IP Services RTU electronic license
<u>L-C3850-12-S-E</u>	Cisco Catalyst 3850 12-port IP Base to IP Services RTU electronic license
Access Point Licenses	
L-LIC-CT3850-UPG	Primary upgrade license SKU for Cisco 3850 wireless controller (e-delivery)
<u>L-LIC-CTIOS-1A</u>	1 access point adder license for Cisco IOS Software based wireless controller (e-delivery)
LIC-CT3850-UPG	Primary upgrade license SKU for Cisco 3850 wireless controller (paper license)
LIC-CTIOS-1A	1 access point adder license for the Cisco IOS Software based wireless controller (paper license)
Power Supplies and Fan for the Cisco Catalyst 3850 Series	
<u>PWR-C1-350WAC</u>	350WAC power supply spare
<u>PWR-C1-715WAC</u>	715WAC power supply spare
<u>PWR-C1-1100WAC</u>	1100WAC power supply spare
<u>PWR-C1-440WDC</u>	440WDC power supply spare
PWR-C1-BLANK=	Power supply blank spare
<u>PWR-C3-750WAC-R</u>	750WAC power supply spare front-to-back airflow for 48XS
PWR-C3-750WAC-F=	750WAC power supply spare back-to-front airflow for 48XS
PWR-C3-750WDC-R=	750WDC power supply spare front-to-back airflow for 48XS

PWR-C3-750WDC-F=	750WDC power supply spare back-to-front airflow for 48XS
FAN-T3-R=	Fan module spare front-to-back airflow for 48XS
FAN-T3-F=	Fan module spare back-to-front airflow for 48XS
C3850-FAN-T1=	Cisco Catalyst 3850 and WLC 5760 Type 1 Fan Module
StackWise-480 and StackPower Cables for the Cisco Catalyst 3850 Series	
<u>STACK-T1-50CM=</u>	Cisco StackWise-480 50cm stacking cable spare
<u>STACK-T1-1M=</u>	Cisco StackWise-480 1m stacking cable spare
<u>STACK-T1-3M=</u>	Cisco StackWise-480 3m stacking cable spare
<u>CAB-SPWR-30CM=</u>	Cisco Catalyst 3850 StackPower cable 30cm spare
<u>CAB-SPWR-150CM</u>	Cisco Catalyst 3850 StackPower cable 150cm spare
Spare Power Cords for the Cisco Catalyst 3850 Series	
<u>CAB-TA-NA</u>	AC power cord for Cisco Catalyst 3850 (North America)
<u>CAB-TA-AP</u>	AC power cord for Cisco Catalyst 3850 (Australia)
<u>CAB-TA-AR</u>	AC power cord for Cisco Catalyst 3850 (Argentina)
<u>CAB-TA-SW</u>	AC power cord for Cisco Catalyst 3850 (Switzerland)
<u>CAB-TA-UK</u>	AC power cord for Cisco Catalyst 3850 (United Kingdom)
<u>CAB-TA-JP</u>	AC power cord for Cisco Catalyst 3850 (Japan)
<u>CAB-TA-250VAC-JP=</u>	Japan 250VAC power cord for Cisco Catalyst 3850 (Japan)
<u>CAB-TA-EU</u>	AC power cord for Cisco Catalyst 3850 (Europe)
<u>CAB-TA-IT</u>	AC power cord for Cisco Catalyst 3850 (Italy)

<u>CAB-TA-IN</u>	AC power cord for Cisco Catalyst 3850 (India)
<u>CAB-TA-CN=</u>	AC power cord for Cisco Catalyst 3850 (China)
<u>CAB-TA-DN</u>	AC power cord for Cisco Catalyst 3850 (Denmark)
<u>CAB-TA-IS</u>	AC power cord for Cisco Catalyst 3850 (Israel)
<u>CAB-ACBZ-12A=</u>	AC power cord for Cisco Catalyst 3850 (Brazil), 12A/125V BR-3-20 plug up to 12A
<u>CAB-ACBZ-10A=</u>	AC power cord for Cisco Catalyst 3850 (Brazil), 10A/250V BR-3-10 plug up to 10A
<u>CAB-C15-CBN</u>	Cabinet jumper power cord, 250 VAC 13A, C14-C15 connectors
Spare Accessory and Rack Mount Kits for the Cisco Catalyst 3850 Series	
C3850-ACC-KIT=	Accessory kit for Cisco Catalyst 3850 Series
C3850-RAC-KIT=	Rack mount kit for Cisco Catalyst 3850 Series
C3850-4PT-KIT=	Extension rails and brackets for four-point mounting for Cisco Catalyst 3850 Series

ADDITIONAL INFORMATION

[Find the Right 3650 and 3850 Models](#)

[Cisco Catalyst 3850 Series Switches vs. Catalyst 9300 Series Switches](#)

[Selecting Cisco Switches-Campus, Branch, Digital Building](#)

WHERE TO BUY

Want to buy this series of products? please contact:

- Tel: +1-626-239-8066 (USA)/ +852-3050-1066 / +852-3174-6166
- Fax: +852-3050-1066 (Hong Kong)
- Email: sales@router-switch.com (Sales Inquiries)

Or visit: [Cisco Catalyst 3850 Series Switches](#)

About us

Router-switch.com, founded in 2002, is one of the biggest Global Network Hardware Supplier. We are a leading provider of network products with 14,500+ customers in over 200 countries. We provide original new and used network equipments (Cisco, Huawei, HPE, Dell, Hikvision, Juniper, EMC, etc.), including Routers, Switches, Servers, Storage, Telepresence and Videoconferencing, IP Phones, Firewalls, Wireless APs & Controllers, EHWIC/HWIC/VWIC Cards, SFPs, Memory & Flash, Hard Disk, Cables, and all kinds of network solutions related products.

SOURCES

https://www.cisco.com/c/en/us/products/collateral/switches/catalyst-3850-series-switches/data_sheet_c78-720918.html