



Polycom Documentation

Copyright © 2019, Polycom, Inc. All rights reserved. No part of this document may be reproduced, translated into another language or format, or transmitted in any form or by any means, electronic or mechanical, for any purpose, without the express written permission of Polycom, Inc
6001 America Center Drive

San Jose, CA 95002

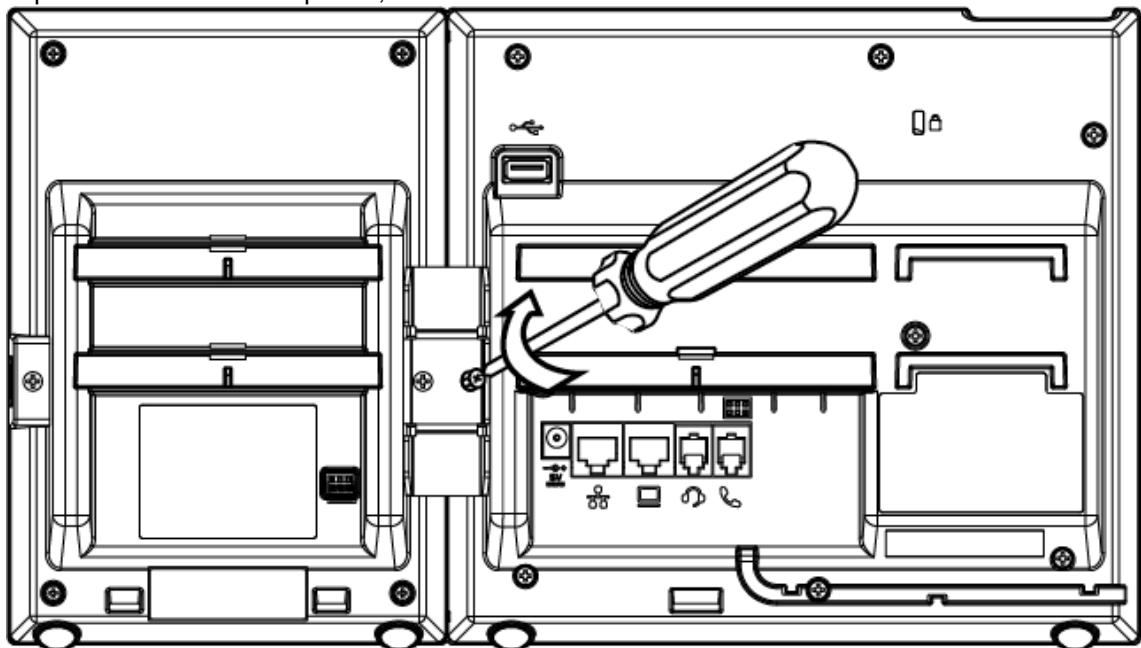
USA

Connect a VVX EM 50 Expansion Module

Expansion modules are powered and signaled by the connected VVX phone and require minimal setup. After you connect an expansion module to a phone, the module is automatically configured to work with the phone.

Procedure

- 1 Power off the VVX 450 business IP phone.
- 2 Insert the USB plug on the VVX EM 50 expansion module into the side USB port on the VVX 450.
- 3 Lay the connected phone and expansion module face-down on the table.
- 4 Insert the supplied screw into the bracket screw hole and, using a screwdriver, secure the expansion module to the phone, as shown.



The LED lights on the module's line keys flash red and green as the module starts up.

Related Topics

[Polycom VVX EM 50 Expansion Modules](#)