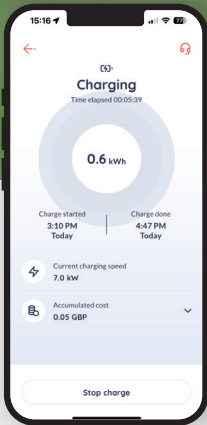




**NEW TO MARKET**  
Product Launching 2023

*Design & Manufacturer of  
Stevie EV Chargers*



New, Innovative, Patent Registered,  
Space Saving, In-Wall and On-Wall, Customised  
Charger Points with Quick and Easy Installation...

***Take a look at what we have solved...***

# What we have solved

## Patented\* In-Wall Charge Points:

- Gives land back - Slim profile provides better use of limited space.
- Smart front of house appearance - Choice of coloured fascias to suit most properties. Pearl White supplied as standard.
- In-Wall design allows for cables to be hidden within the walls - Better security, complete waterproofing, and complementary exterior appearance.

## Display Screen:

- Displays unit status confirmation back to the user.
- Gives the user a second confirmation that the Stevie® charger point will charge as planned, ensuring that the car is ready to drive away at the intended time.

## Tilted Display Screen:

- The Stevie® charger point is one of the only units that have the display tilted at an angle that allows the user to easily see the display screen without having to bend down.

## Coloured Fascias:

- Offers a choice of colour to the unit to complement the property's external appearance.
- UV shielded plastics - Provides best protection against sunlight bleaching.

## Personalisation Window:

- Allows the user to personalise their Stevie® unit by adding their property name in the personalisation window so that others have no doubt who the charger point belongs to.
- Inside fascia card placement keeps the personalisation card fresh, professional looking and provides protection from the elements.
- The personalisation window is illuminated.
- Gives total choice of personalisation to owner, user or installer.

## Additional Key Features

### Socketed In-Wall and On-Wall Design:

- Where the user decides on mounting style, In-Wall or On-Wall, at the time of purchase.

### 7.5m Extra Long Tethered Design:

- 7.5m long cable as standard for added convenience.
- Non-tethered cables often attract dirt while not in use are stored at the bottom of the car's boot, making them inconvenient to remove - Having a tethered cable built-in does away with this problem.
- Secure, anti-theft cable solution - Cable is permanently attached.

### The Electric Vehicles (Smart Charge Points)

#### Regulations 2021:

- The Stevie® Charger is fully compliant with The Electric Vehicles (Smart Charge Points) Regulations 2021 and the December 2022 addition.
- Most importantly giving improved cyber and unit security and up-to-date peace of mind.

### Single-Phase 7.4kW Power:

- Single-phase 3.7kW to a maximum of 7.4kW charging to the car.

### Three-Phase Ready on On-Wall and Tethered Options:

- Three-Phase (11kW and 22kW) Stevie® Charger will allow drivers to future proof and / or receive faster speeds of charging as required by most EU countries.

### RFID Tag:

- Secure key to override the App for instant unit set up operation or quick boost charge.
- Instant cable lock function. Turns a socketed unit into a tethered cable unit and prevents cable theft.

### PEN-Fault Protection Device:

- Ease of installation - Built-in PEN-fault conductor technology to eliminate the need for Earth Rod installation in most cases.

### Smart Energy Ready:

- Allows the user to decide on the energy source at any time - Mains/Renewable (solar/wind\*\*).

### Any Car Using Type 2 Connectors:

- 95% (and growing) of the EV vehicle charging market.

### Light On Button:

- Touch sensitive button allows illumination of the display, socket connection area, and personalisation window at night with auto timed turn off to prevent light pollution.

\*Patent Pending GB 2209006.2

\*\* If available.

# Installer Benefits

## Secure Cable Installation:

- 2 options - Cable entry points to the rear or base of the unit.

## Modular Installation Parts:

- The modular designed units allow for outer sleeves and fascias to be easily replaced if accidentally damaged.

Should the outer sleeve or fascia of the Stevie® unit get damaged during installation, the installer can cost-effectively replace the damaged part, providing the customer with an unspoilt unit.

## Connectivity:

- WiFi 6
- 4G and LAN coming soon.

## Individual Personalisation:

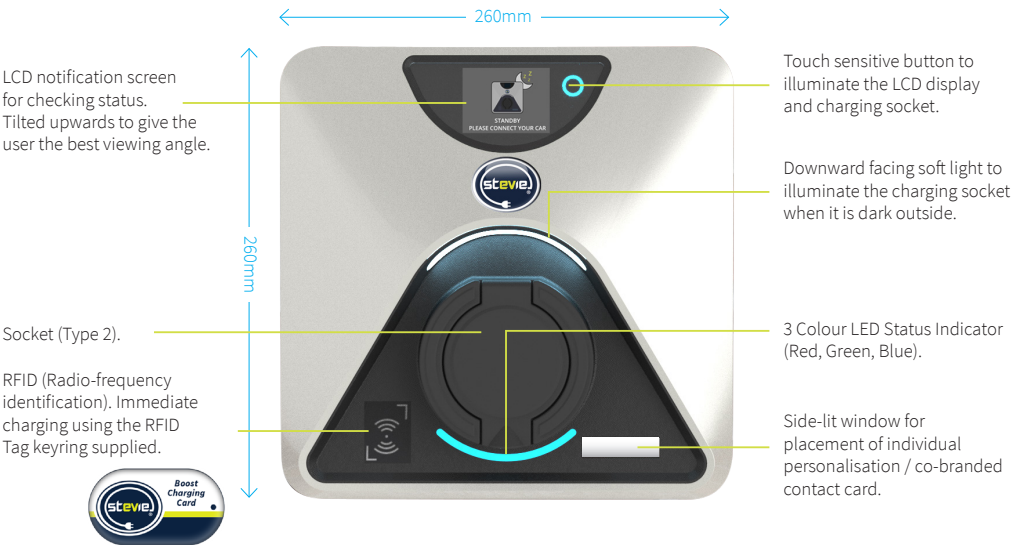
- Designated place for installer to place their contact details.

## Compression Terminal:

- For easy installer wiring.

## Installer Support Available:

- Phone & email contacts on hand for fast response to enquiries.



The **Stevie® Charge Point** offers new home developers a stylish and compact new EV charging solution which effectively gives the developers land back with its low profile. Carefully selected coloured fascias ensure the **Stevie® Charge Point** is a subtle new feature on all new homes, while also helping developers meet The Electric Vehicles Smart Charge Point regulations and future-proof their new builds.

# Overview

- In-Wall or On-Wall options.  
All mounting options - take the space of just 3 bricks
- Tethered (corded) or un-tethered (socket) versions.
- With or without LED display options
- Electronic Cable Lock
- OLED display screen, allows the user to view the status of the charger, mirroring the mobile app.
- Light on switch for socket illumination with a 20 second time-out
- Compliant with The Electric Vehicles (Smart Charge Points) Regulations 2021 and December 2022 addition
- Type 2 connector (common to most EV vehicles)
- CT Clamp with 5m cable
- RFID - immediate charging override secure key fob
- PEN-Fault Protection device - no earth rod required in most cases
- UV shielded plastics for protection against sunlight
- Dynamic load balancing to automatically protect the property's main fuse
- Fast 7.4kW 32Amp charging
- Renewable energy (solar/wind) surplus compatible
- Smart charging - pre-configured to avoid charging during peak hours
- Wifi 6 included as standard - high speed connectivity to the household
- 4G GSM SIM Module available as optional connectivity\*
- LAN - hard wired solution as optional connectivity\*
- Suitable for residential properties and commercial properties, (homes, offices, factories, restaurants, hotels, sports venues etc.)
- Multiple colour fascia and cable holder options available. (Pearl White supplied as standard, other available colours: Almond White, Brick Red, Metal Blue, Sage Green and Anthracite Grey)
- 3 year warranty (option to extend to 5 years)

\* Coming soon



**PN: Stevie 1 - IWS**  
In-Wall Socket - No Display



**PN: Stevie 1 - OWS**  
On-Wall Socket - No Display



**PN: Stevie 1 - OWT**  
On-Wall Tethered - No Display



**PN: Stevie 1D - IWS**  
In-Wall Socket - With Display



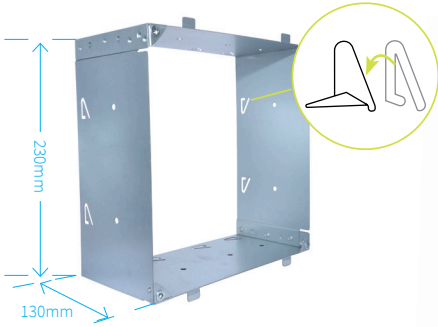
**PN: Stevie 1D - OWS**  
On-Wall Socket - With Display



**PN: Stevie 1D - OWT**  
On-Wall Tethered - With Display

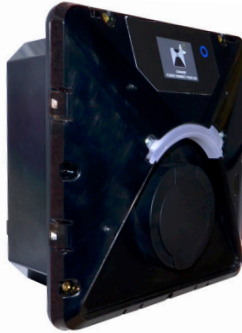
## In-Wall Option

The patented\* design enables the **Stevie® Charge Point** to be recessed into the fabric of the building (hole size 235mm x 235mm ≈ one standard house brick wide by three standard house bricks high) to give a sleek looking addition to the property. Quick and easy installation and a space saving benefit for any new build - Giving back irreplaceable land/space.

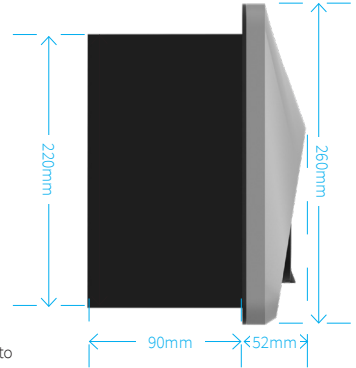


Galvanised steel sleeve for recessed installation.

Fold out triangular locking tabs to secure sleeve into the wall.



Toughened plastic box to house electrical components



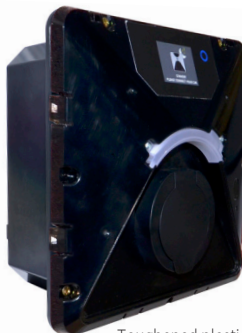
## On-Wall Option

The modular design enables the **Stevie® Charge Point** to be installed in the traditional 'surface mounted' fitting manner - Quick and easy installation. Comes complete with a cable hanging hook.

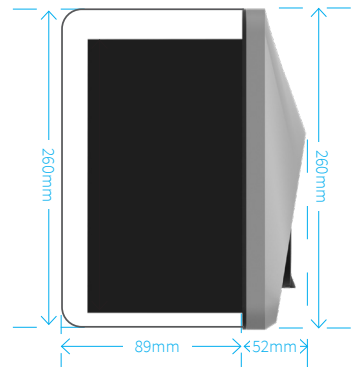
Cable holder, available in a choice of six colours



Toughened plastic surface sleeve



Toughened plastic box to house electrical components

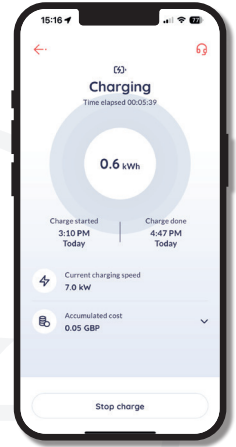


## Mobile App

### Smart control charging using green energy

The partnership between JPL EV and Monta ensures owners of the Stevie Charge Point will have access to Monta's 'smart charging' product feature, automatically optimising all electric vehicle's charging schedule according to a number of different factors, including when energy is cheapest and/or greenest.

- Mobile app controlled charging
- Use your surplus local generated solar or wind energy to charge your electric car
- Choose and set a charging completion time
- Automatic off-peak hours charging
- Smart scheduled charging feature
- Compatible with all EVs & PHEVs
- Energy tariff driven charging
- Review statistics and analytical data
- Earn rewards for smart charging
- **Lock Your Charger** feature
- Remote Software Locking - Give family and friends access to use your charge point even when you're not there
- Live charge session notifications
- Immediate charge boost button (RFID)
- Understand your charging costs
- Sync with your solar power panel setup (if available)



## Fascia Colour Options

Personalise your Stevie® by adding a UV shielded coloured fascia

Fascias are compatible with Stevie® In-Wall and On-Wall EV Charge Points.



Pearl White Fascia included with all units as standard

**Optional Colours** (Same cover fits both Display and Non-Display models).



Almond White  
PN: Stevie 1F-AW



Brick Red  
PN: Stevie 1F-BR



Metal Blue  
PN: Stevie 1F-MB



Sage Green  
PN: Stevie 1F-SG



Anthracite Grey  
PN: Stevie 1F-AG

## Technical Data

Item	Socket	Tethered
Unit with Display	✓	✓
Unit without Display	✓	✓
Post Mounting Option	✓	✓
LED - Status Indicator	✓	✓
RFID - Quick Start	✓	✓
WiFi 6 - 2.4GHz	✓	✓
4G GSM SIM and LAN ( <i>Coming soon</i> )	Optional	Optional
Office/Home Load Balancing management (CT+5m wire)	✓	✓
LCD side lit personal name card/company branding card	✓	✓
PEN-Fault Protection device - No earth rod required	✓	✓
WiFi Reset Button	✓	✓
Electronic Lock (Type 2 Connector)	✓	✗
OCPP1.6	✓	✓
Cable Holder included	Optional	✓
In-Wall - Recessed Mounting	✓	✗
On-Wall - Surface Mounting	✓	✓
RFID Tag Keyring included	✓	✓
Dimensions (W x L x D)	260 x 260 x 52mm/141mm	260 x 260 x 141mm
Input	Socket	Tethered
Power Supply	1P+N+PE	1P+N+PE
Rated Voltage	AC 220~240V 50/60Hz	AC 220~240V 50/60Hz
Rated Current (Adjustable)	Max 32A(16A,13A,10A)	Max 32A(16A,13A,10A)
Renewable energy (solar/wind) compatible	✓	✓
Output	Socket	Tethered
Output Voltage	AC 220~240V 50/60Hz	AC 220~240V 50/60Hz
Max Current (Adjustable)	Max 32A(16A,13A,10A)	Max 32A(16A,13A,10A)
Rated Power (Three-phase)	22kW(MAX)	22kW(MAX)
User Interface	Socket	Tethered
Charger Connector	Type 2 socket	TPU Cable + Plug
Cable Length	N/A	7.5 meters
Material	ABS + PC	ABS + PC
OLED	✓	✓
Safety	Socket	Tethered
Water Ingress Protection	IP54	IP65
Impact Protection IK08	✓	✓
Over current Protection on PCB	✓	✓
Residual Current Protection (AC30mA, DC6mA)	✓	✓
Ground Protection	✓	✓
Surge Protection	✓	✓
Over/Under Voltage Protection	✓	✓
Over Heating Protection	✓	✓
Certification	CE/UKCA	CE/UKCA
EMC Compliance: IEC61851-21-2 : 2018; EN IEC61851-21-2:2021; BS EN IEC 61851-21-2:2021		
Safety Compliance: Low Voltage Directive (LVD) 2014/35/EU, EN 60950-1:2006 + A11 + A1, EN 60950-22:2006		
EV Charging Compliance: Fully compliant with Amendment 1 of BS7671:2018. EN 61851-1:2019, EN 61851-21:2002, EN 61851-22:2002, IEC 62196-1, IEC 61851-1, BS 7671:2018 + A1:2020	✓	✓
Environment	Socket	Tethered
Work Temperature	-25°C~50°C*	-25°C~50°C*
* When temperature exceeds 70°C, the charging current will be limited to 8A. If over 80°C the charger will stop working.		
Work Humidity	Up to 95%	Up to 95%
Work Altitude	<2000m	<2000m

Please Note: Product specification subject to change upon final launch of the product.

E&OE



Part No.	SKU	Basic Description	SSP
<b>Stevie 1 - No LCD Display</b>		<b>Single-phase</b>	
Stevie 1 - IWS	783-001-001	7.4kW In-Wall EV charger with a socket (No LCD Display)	£549.95
Stevie 1 - OWS	783-002-001	7.4kW On-Wall EV charger with a socket (No LCD Display)	£549.95
Stevie 1 - OWT	783-003-001	7.4kW On-Wall tethered EV charger with a 7.5m cable (No LCD)	£649.95
<b>Stevie 1 - With LCD Display</b>		<b>Single-phase</b>	
Stevie 1D - IWS	783-004-001	7.4kW In-Wall EV charger with a socket	£599.95
Stevie 1D - OWS	783-005-001	7.4kW On-Wall EV charger with a socket	£599.954
Stevie 1D - OWT	783-006-001	7.4kW On-Wall tethered EV charger with a 7.5m cable	£699.95
<b>Stevie 3 - No LCD Display</b>		<b>Three-phase</b>	
Stevie 3 - IWS	783-001-002	22kW In-Wall EV charger with a socket (No LCD Display)	£649.95
Stevie 3 - OWS	783-002-002	22kW On-Wall EV charger with a socket (No LCD Display)	£649.95
Stevie 3 - OWT	783-003-002	22kW On-Wall tethered EV charger with a 7.5m cable (No LCD)	£749.95
<b>Stevie 3 - With LCD Display</b>		<b>Three-phase</b>	
Stevie 3D - IWS	783-004-002	22kW In-Wall EV charger with a socket	£699.95
Stevie 3D - OWS	783-005-002	22kW On-Wall EV charger with a socket	£699.95
Stevie 3D - OWT	783-006-002	22kW On-Wall tethered EV charger with a 7.5m cable	£799.95
<b>Stevie - Interchangeable Coloured Front Fascia Panel</b>			
Stevie 1F-PW	783-007-000	Pearl White Front Fascia Panel for Stevie 1 and Stevie 1D	£20.00
Stevie 1F-AW	783-007-001	Almond White Front Fascia Panel for Stevie 1 and Stevie 1D	£20.00
Stevie 1F-BR	783-007-002	Brick Red Front Fascia Panel for Stevie 1 and Stevie 1D	£20.00
Stevie 1F-MB	783-007-003	Metal Blue Front Fascia Panel for Stevie 1 and Stevie 1D	£20.00
Stevie 1F-SG	783-007-004	Sage Green Front Fascia Panel for Stevie 1 and Stevie 1D	£20.00
Stevie 1F-AG	783-007-005	Anthracite Grey Front Fascia Panel for Stevie 1 and Stevie 1D	£20.00
<b>Stevie - Coloured Cable Holder</b>			
Stevie 1H-PW	783-008-000	Pearl White Cable holder	£20.00
Stevie 1H-AW	783-008-001	Almond White Cable holder	£20.00
Stevie 1H-BR	783-008-002	Brick Red Cable holder	£20.00
Stevie 1H-MB	783-008-003	Metal Blue Cable holder	£20.00
Stevie 1H-SG	783-008-004	Sage Green Cable holder	£20.00
Stevie 1H-AG	783-008-005	Anthracite Grey Cable holder	£20.00
<b>Stevie - Accessories</b>			
Stevie 1C	783-010-001	Metal Cage for Stevie® In-Wall recessed EV charger	£20.00
Stevie 1S	783-011-001	Toughened Plastic Surface Sleeve for Stevie® charger	£20.00

\* Coming soon



For more information please contact one our sales team at [sales@steviechargers.com](mailto:sales@steviechargers.com)

JPL EV Limited, Units 1 & 2, Church Close Business Park, Todber, Sturminster Newton, Dorset DT10 1JH  
• Tel: +44 (0)1258 822514

[www.steviechargers.com](http://www.steviechargers.com)

v6/23 E&OE

