

BRIO 300

Setup Guide
设置指南

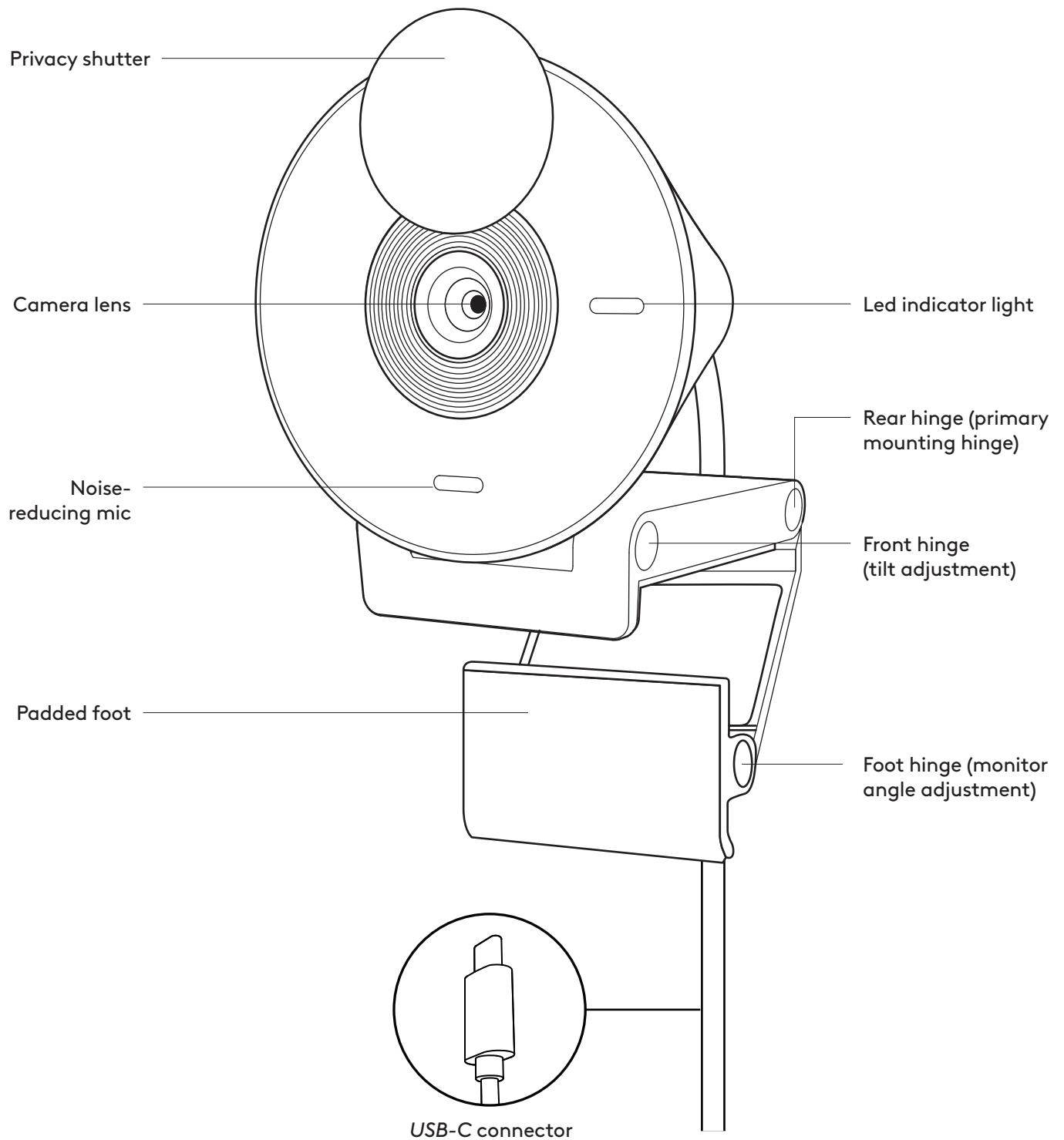


CONTENTS / 目录

English 3

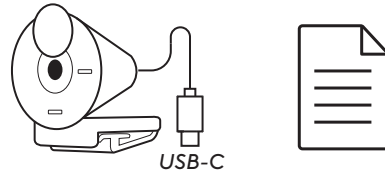
简体中文 8

KNOW YOUR PRODUCT



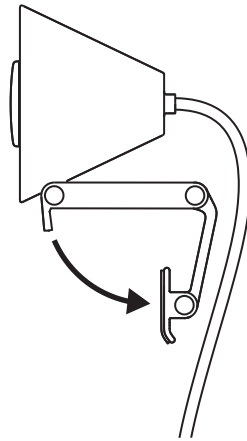
WHAT'S IN THE BOX

1. Brio 300 with attached *USB-C* cable
2. User documentation



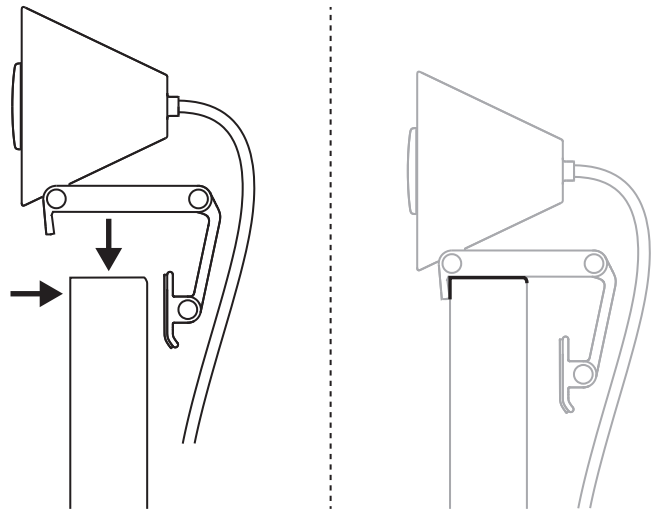
OPEN THE MOUNT

Open the mounting arm.



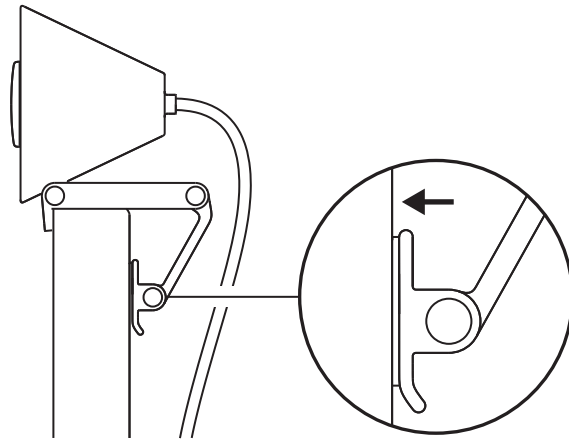
PLACE ON MONITOR

Place the Brio 300 on top of your monitor and ensure that the front tab of the mount is snug against the front of your screen.



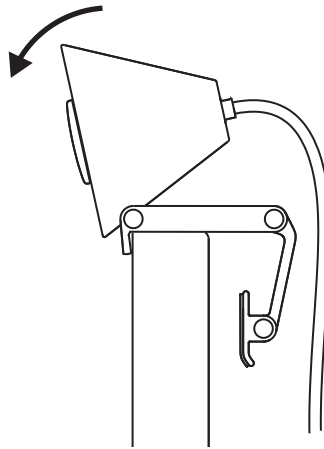
COMPRESS TO FIT MONITOR

Move the mounting arm towards the back of your screen so that it fits the width of the monitor. Please note that you may need to adjust the angle of the "foot hinge" to fit your monitor's shape.



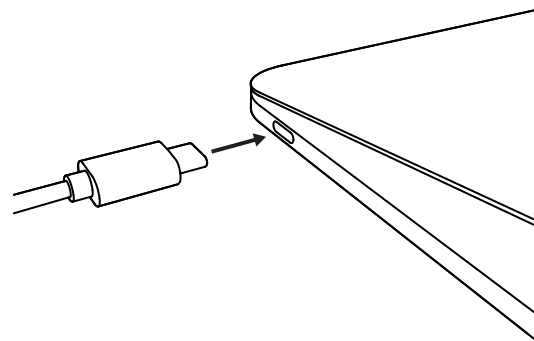
ADJUST THE ANGLE

Adjust the angle of the Brio 300 by tilting it forwards or backwards.



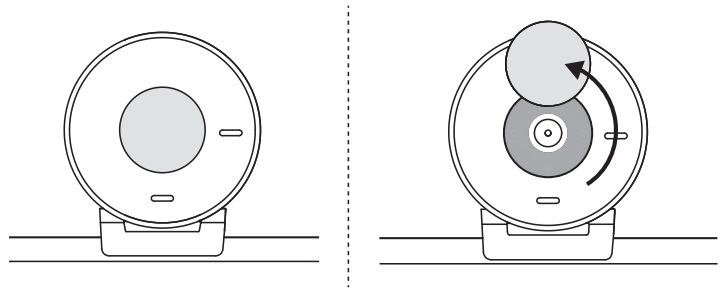
PLUG DIRECTLY INTO COMPUTER

Plug the attached *USB-C* connector into the corresponding port on your computer. If possible, we recommend plugging the Brio 300 directly into your computer and not through a USB hub.



OPEN THE PRIVACY SHUTTER

Open the privacy shutter by gently pushing it from the left or right direction of the device; the cover will snap into its "off" position above the camera.



INSTALL TUNE

Logi Tune helps boost your webcam performance with periodic software and firmware updates.

It is recommended to update your webcam and take advantage of the great features of Brio 300.

To do so, download Logi Tune from www.logitech.com/tune



DIMENSIONS

Webcam:

Height x Width x Depth: 2.58 in (65.63 mm) x 2.09 in (53.1 mm) x 1.78 in (45 mm), incl. mount clip

Product weight:

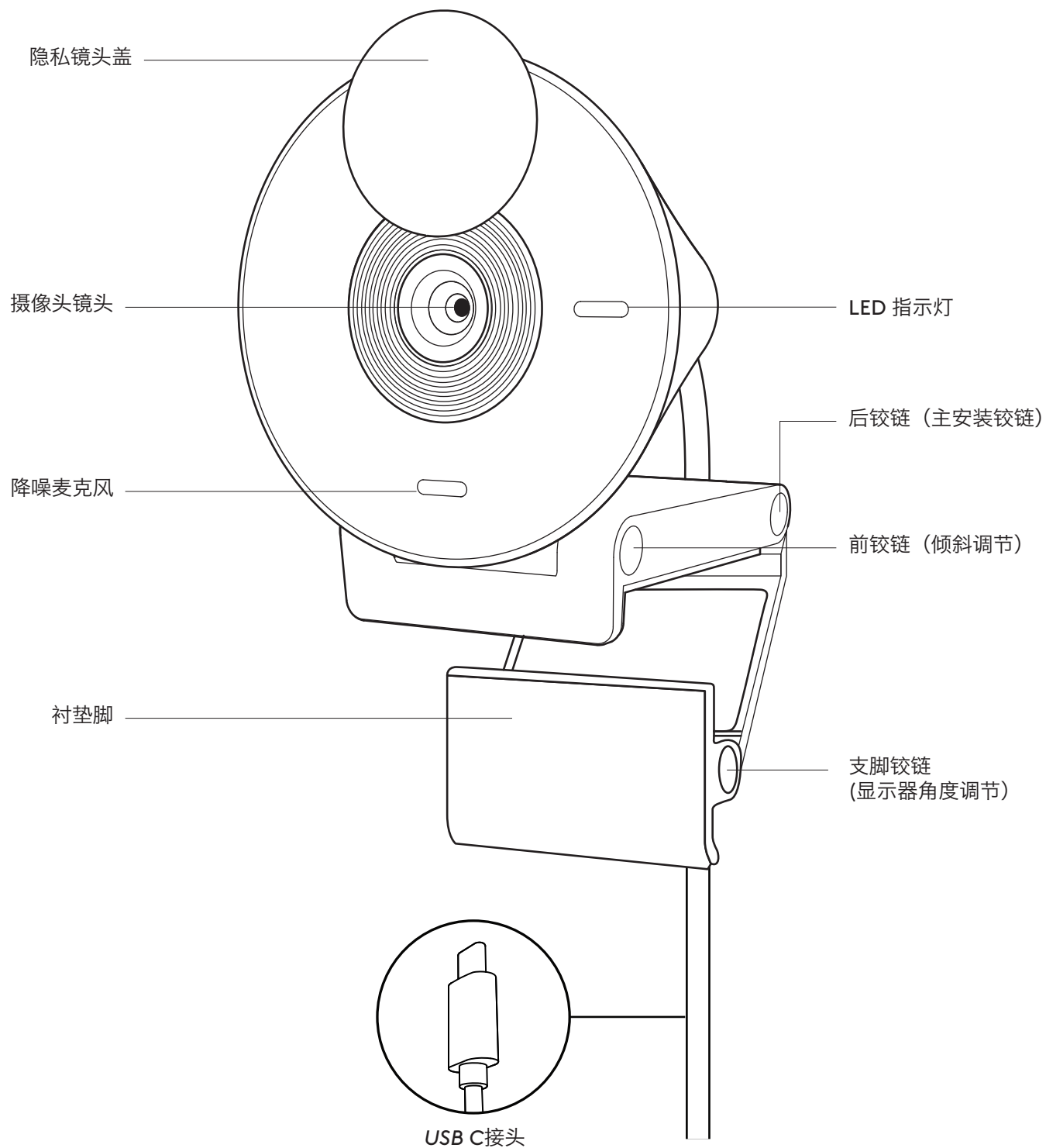
2.63 oz (74.6 g), incl. mount clip & cable

Attached Cable length:

1.5 m (5 ft)

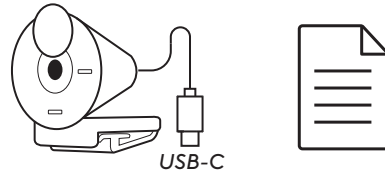
www.logitech.com/support/Brio300

了解您的产品



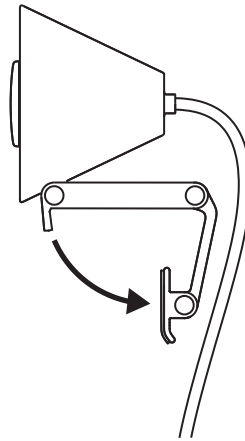
包装内容

1. 带 USB-C 线缆的 Brio 300
2. 用户文档



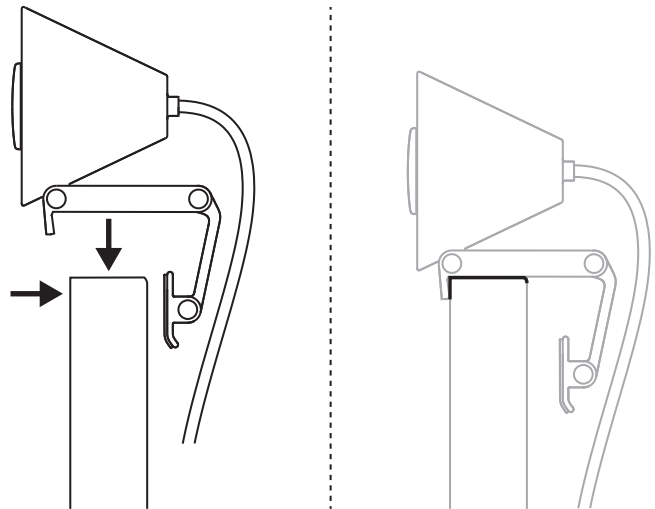
打开支架

打开支架。



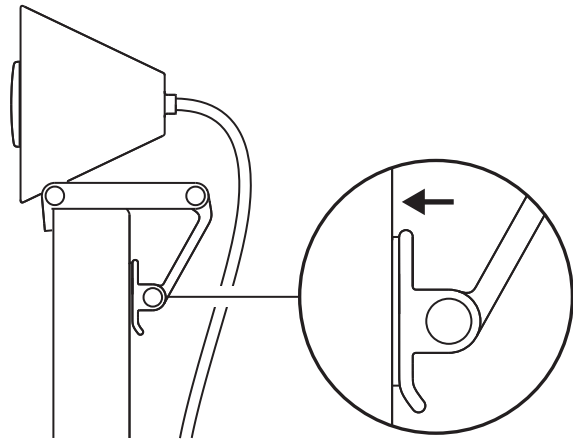
放在显示器上

将 Brio 300 放在显示器上方，然后 确保安装配件的正面卡舌 紧贴屏幕正面。



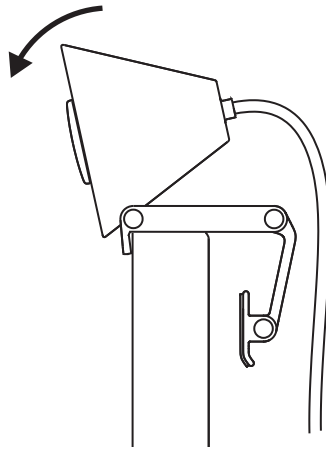
收紧以适配显示器

将安装臂移向屏幕背面，使其适合显示器屏幕厚度。请注意，您可能需要调整“支脚铰链”的角度以匹配显示器的形状。



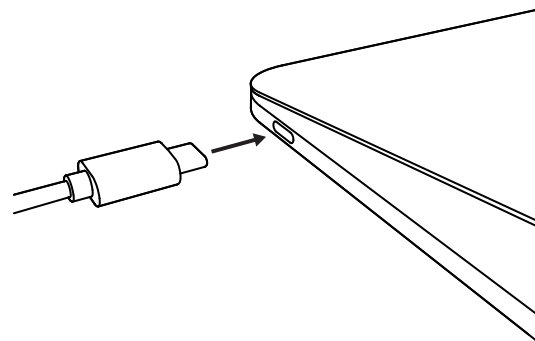
调整角度

通过向前或向后倾斜调整 Brio 300 的角度。



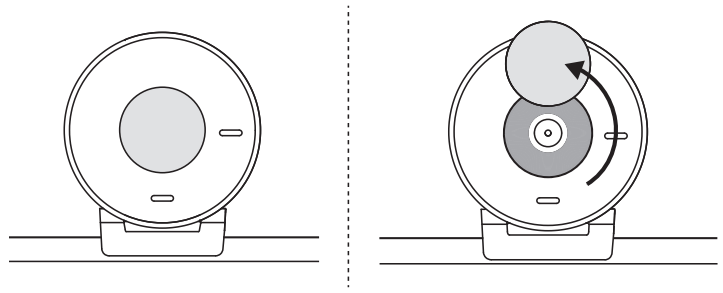
直接插入电脑

将随附的 USB-C 接头插入电脑的相应端口。如果可以，我们建议将 Brio 300 直接插入电脑，不通过 USB 集线器连接。



打开隐私镜头盖

轻轻推动隐私镜头盖，将其从设备的左侧或右侧打开；镜头盖将卡入摄像头上方的“关闭”位置。



安装 TUNE

Logi Tune 通过定期的软件和固件更新帮助改善网络摄像头性能。

建议您更新网络摄像头并充分发挥 Brio 300 的功能。

为此，请下载 Logi

Tune: www.logitech.com/tune



规格

网络摄像头:

高 x 宽 x 深: 约 65.63 毫米 x 约 53.1 毫米 x 约 45 毫米 (含安装夹)

产品重量:

约 74.6 克 (含安装夹和线缆)

随附线缆长度:

约 1.5 米

www.logitech.com/support/Brio300